

TABLE OF CONTENTS**ATTACHMENTS**

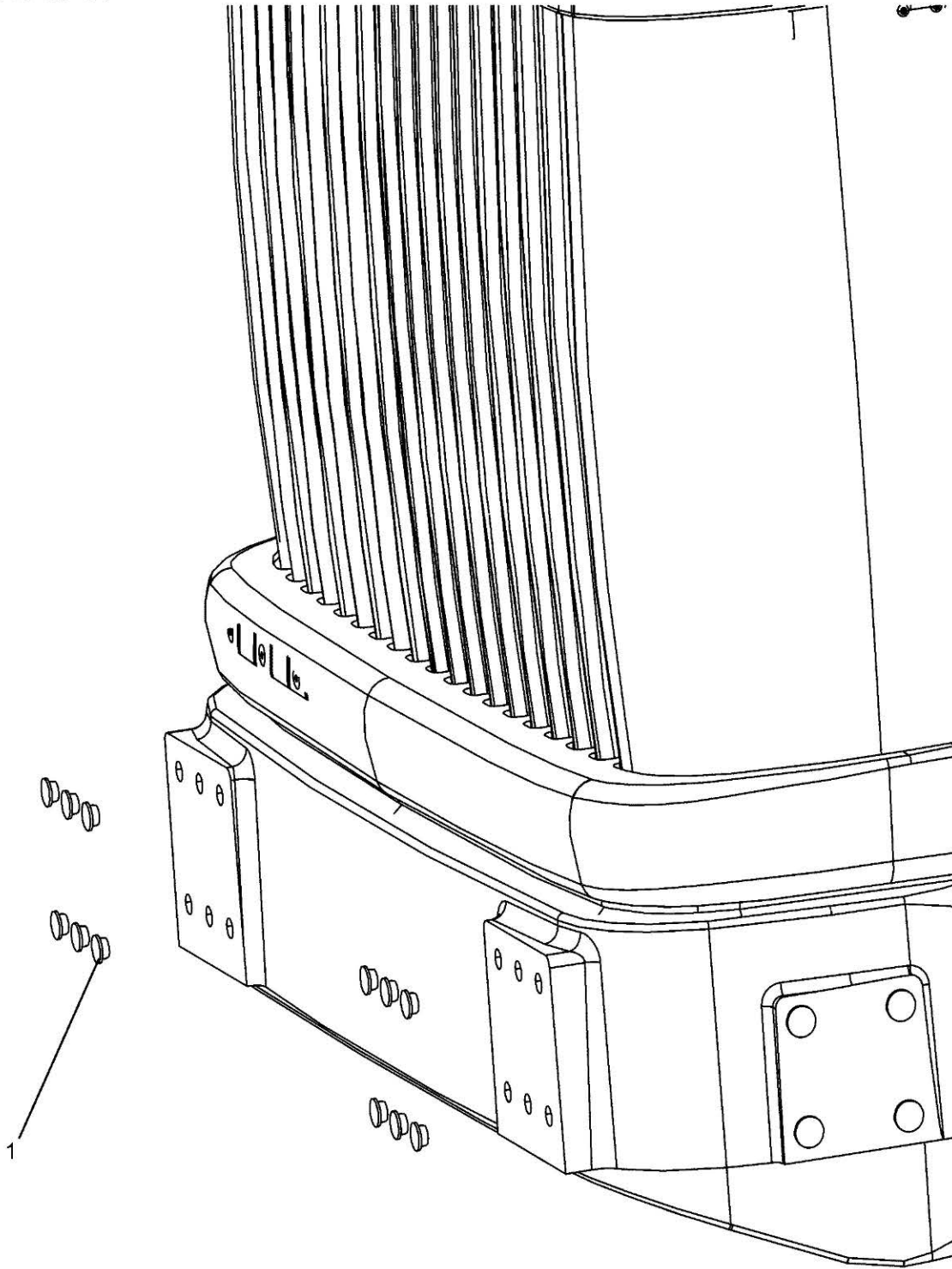
183-5789 - PLUG INSTALLATION WITHOUT FRONT COUNTERWEIGHTS	18-0001
584238D1 - PLUG GROUP - 2016	18-0002
184-5329 - COUNTERWEIGHT GROUP, FRONT, 1440 KILOGRAMS, 3175 POUNDS	18-0003
184-5337 - COUNTERWEIGHT GROUP, FRONT - NON-CE	18-0004
184-5357 - COUNTERWEIGHT GROUP, FRONT	18-0005
584106D1 - COUNTERWEIGHT GROUP, FRONT - 2016	18-0006
584107D1 - COUNTERWEIGHT GROUP, FRONT - 2016	18-0007
584108D1 - COUNTERWEIGHT GROUP, FRONT - 2016	18-0008
544406D1 - WHEEL COUNTERWEIGHT GROUP, 454 KG	18-0009
509088D1 - WHEEL COUNTERWEIGHT GROUP, 1000 LB	18-0010
544407D1 - WHEEL COUNTERWEIGHT ARRANGEMENT, 1816 KILOGRAMS	18-0011
509089D1 - WHEEL COUNTERWEIGHT GROUP	18-0012
512485D1 - WHEEL COUNTERWEIGHT GROUP	18-0013
509087D1 - WHEEL COUNTERWEIGHT GROUP, REAR	18-0014
517212D1 - WHEEL COUNTERWEIGHT GROUP, REAR	18-0015
509093D1 - WHEEL COUNTERWEIGHT GROUP, SPECIAL APPLICATION	18-0016
208-7698 - FIRE EXTINGUISHER MOUNTING KIT	18-0017
525684D1 - DRAWBAR LYNCH PIN INSTALLATION	18-0018
525685D1 - DRAWBAR PIN WITH LYNCH PIN KIT APPLIES TO ALL ROW TRACTORS.	18-0019
530118D1 - TOOLBOX ARRANGEMENT	18-0020
530130D1 - TOOLBOX ARRANGEMENT, FIELD INSTALLATION	18-0021
530119D1 - TOOLBOX GROUP	18-0022
576021D1 - SWINGING DRAWBAR GROUP, WIDE - CATEGORY 4 DRAWBAR	18-0023
576021D1 - SWINGING DRAWBAR GROUP, WIDE - CATEGORY 4 DRAWBAR	18-0024
576023D1 - SWINGING DRAWBAR GROUP, CATEGORY 4 - WITH 3 POINT HITCH	18-0025
576023D1 - SWINGING DRAWBAR GROUP, CATEGORY 4 - WITH 3 POINT HITCH	18-0026
575264D1 - PLUG GROUP - WITHOUT TOW CABLE	18-0027
576387D1 - TOW CABLE INSTALLATION	18-0028
576432D1 - TOW CABLE INSTALLATION - SPECIAL APPLICATION	18-0029
570461D1 - 3 POINT DRAWBAR - CATEGORY 5	18-0030
570461D1 - 3 POINT DRAWBAR - CATEGORY 5	18-0031
570462D1 - SWINGING DRAWBAR GROUP - CATEGORY 5	18-0032
570462D1 - SWINGING DRAWBAR GROUP - CATEGORY 5	18-0033
573309D1 - HITCH - SPECIAL APPLICATION	18-0034
573544D1 - VALVE SUPPORT - SPECIAL APPLICATION	18-0035
576029D1 - DRAWBAR - CATEGORY 4	18-0036
537690D1 - SLOW MOVING VEHICLE WARNING GROUP, HITCH	18-0037
577063D1 - SLOW MOVING VEHICLE SIGN INSTALLATION - SINGLE	18-0038
577451D1 - SLOW MOVING VEHICLE SIGN INSTALLATION - DUALS AND TRIPLES	18-0039

TABLE OF CONTENTS**ATTACHMENTS**

524921D1 - MOUNTING GROUP - IMPLEMENT
524921D1 - MOUNTING GROUP - IMPLEMENT
544694D1 - ADAPTER - DRAWBAR

18-0040
18-0041
18-0042

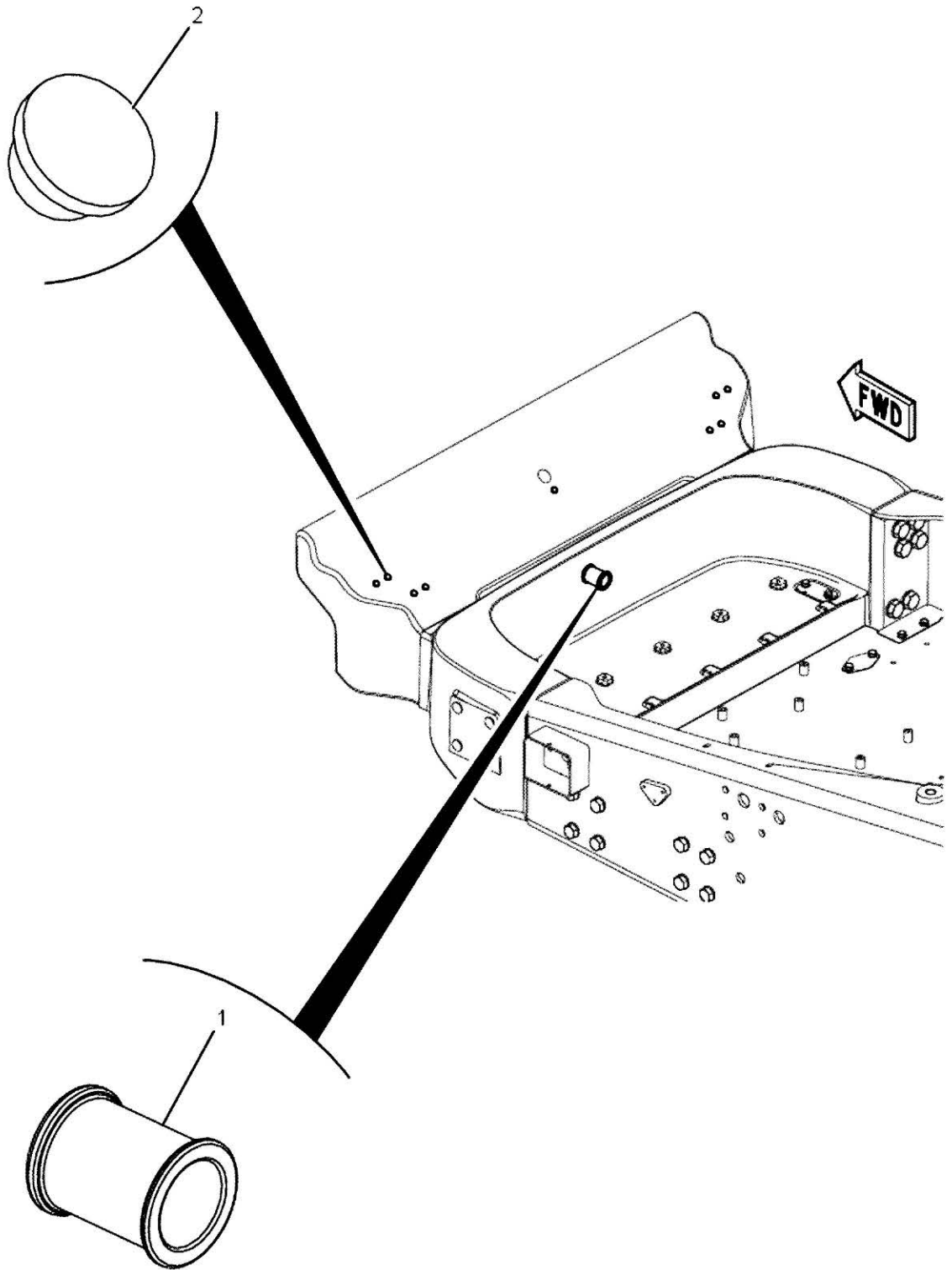
183-5789-03--01



183-5789 - PLUG INSTALLATION WITHOUT FRONT COUNTERWEIGHTS

ITEM	PART NUMBER	QTY	DESCRIPTION COMMENTS	TECHNICAL SPECIFICATION
1	400090X1	12	PROTECTIVE PLUG	M20

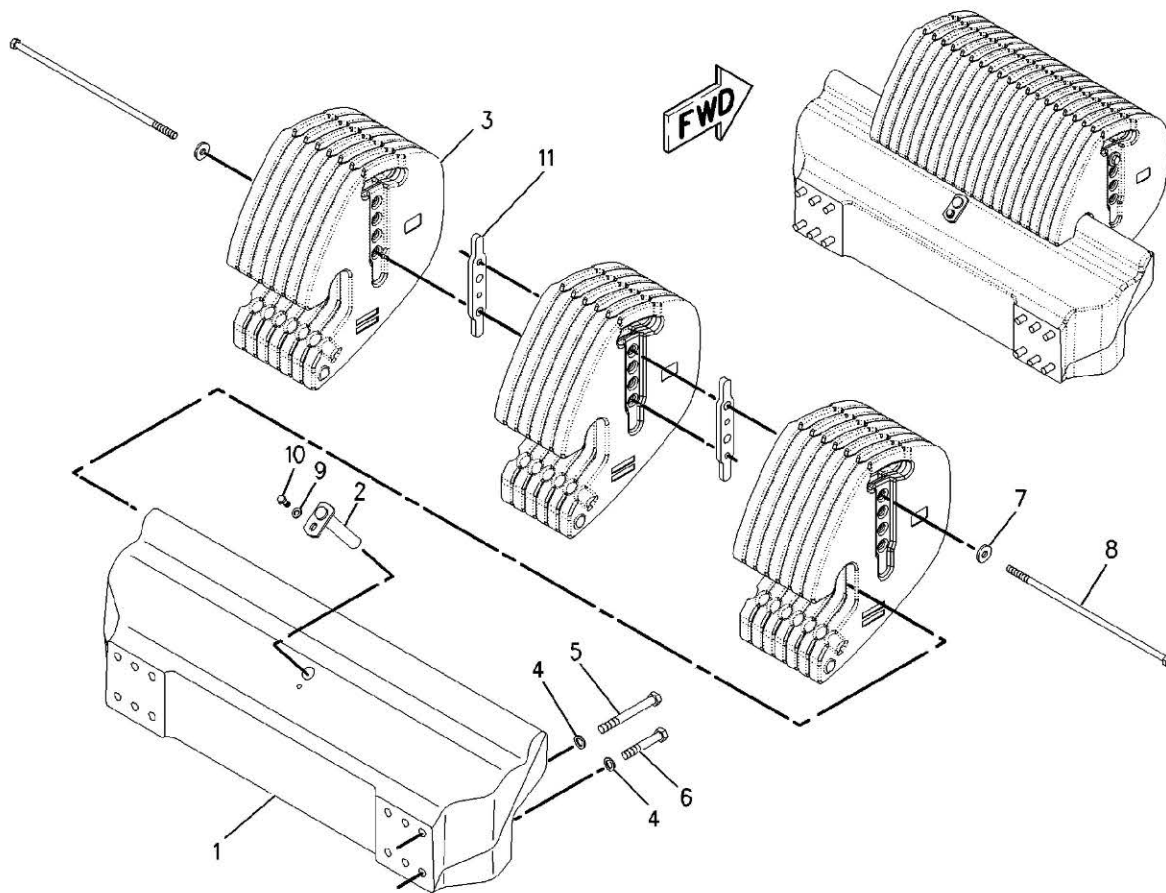
584238D1-2-



584238D1 - PLUG GROUP - 2016

ITEM	PART NUMBER	QTY	DESCRIPTION COMMENTS	TECHNICAL SPECIFICATION
1	584124D1	1	GROMMET	PLUG, 38 OD
2	CH193-5915	9	PLASTIC PLUG	

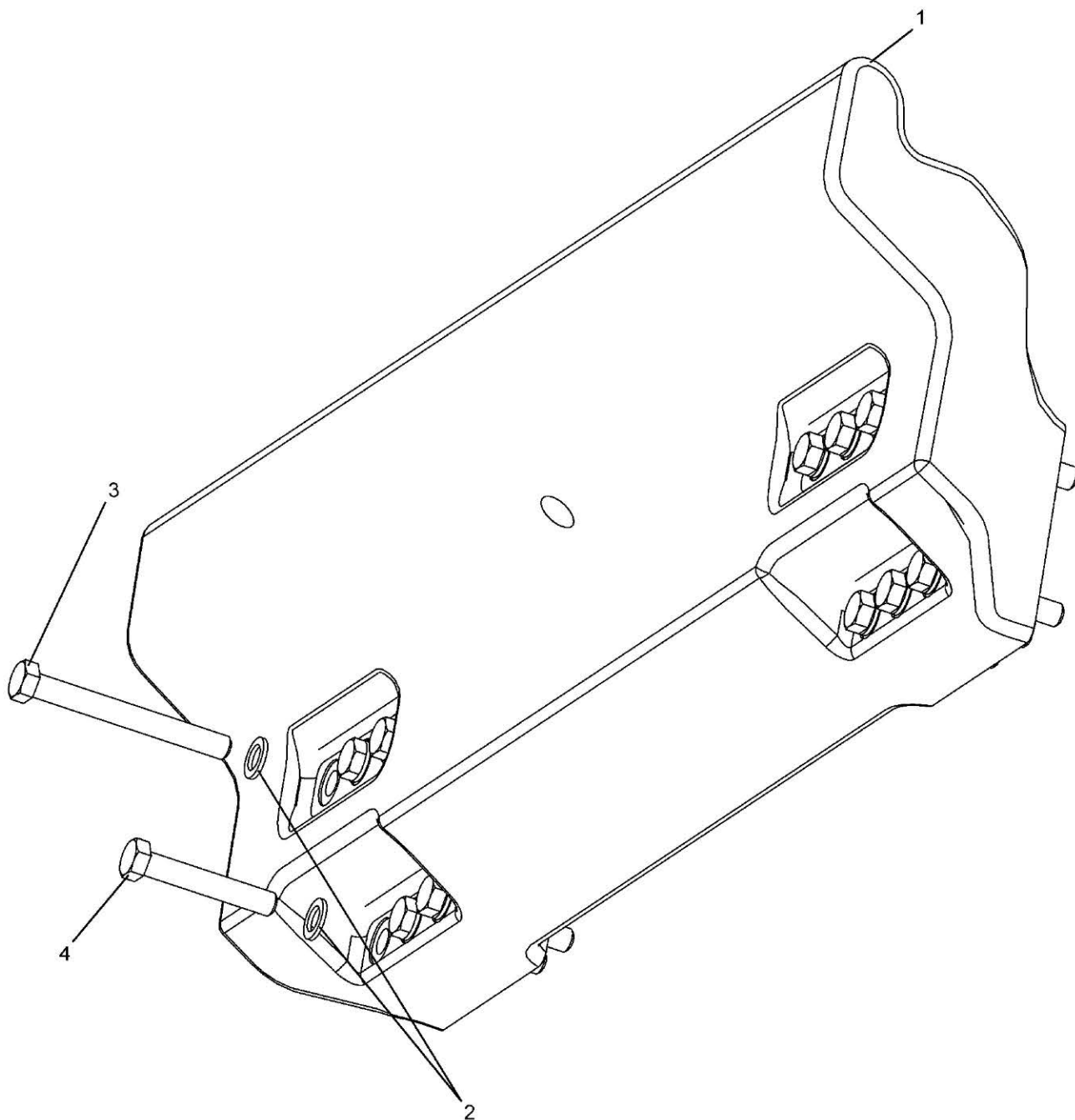
184-5329-07-K617-



184-5329 - COUNTERWEIGHT GROUP, FRONT, 1440 KILOGRAMS, 3175 POUNDS

ITEM	PART NUMBER	QTY	DESCRIPTION COMMENTS	TECHNICAL SPECIFICATION
1	184-5356	1	BRACKET	
2	CH202-9222	1	PIN	31.8MM OD
3	202-9220	20	COUNTERWEIGHT	100LB
4	400080X1	12	FLAT WASHER	22MM X 35MM X 3.5MM
5	400194X1	6	HEXAGONAL HEAD BOLT	M20 X 2.5 X 180MM, CL10.9
6	400236X1	6	HEXAGONAL HEAD BOLT	M20 X 2.5 X 120MM, CL10.9
7	CH7X-0583	2	FLAT WASHER	17MM X 45MM X 6MM
8	400267X1	2	HEXAGONAL HEAD BOLT	M16 X 2 X 550MM, CL10.9
9	400357X1	1	FLAT WASHER	M12 X 25.5 X 3MM
10	400041X1	1	HEXAGONAL HEAD BOLT	M12 X 1.75 X 30MM, CL10.9
11	202-9223	2	SPACER PLATE	

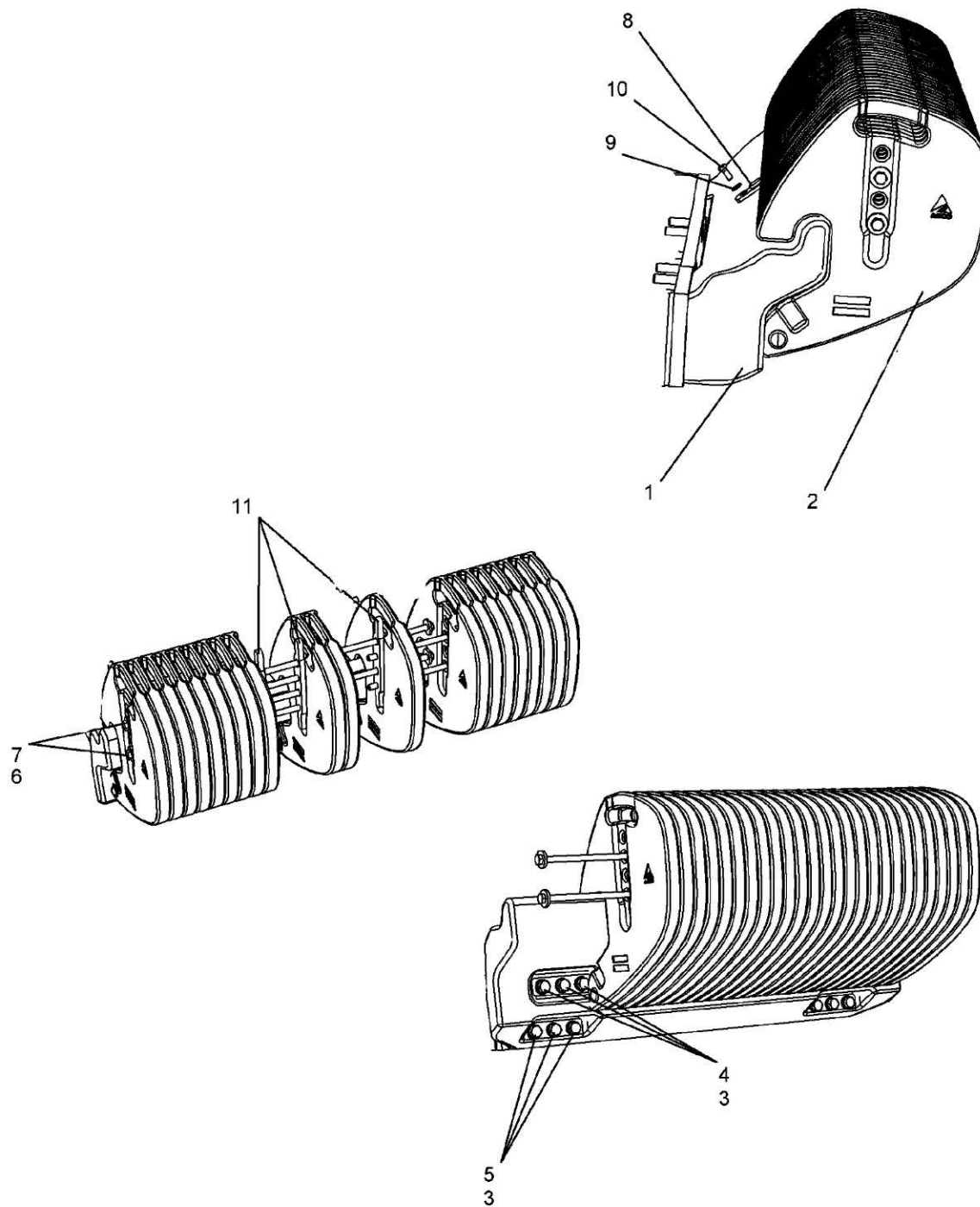
184-5337-02--



184-5337 - COUNTERWEIGHT GROUP, FRONT - NON-CE

ITEM	PART NUMBER	QTY	DESCRIPTION COMMENTS	TECHNICAL SPECIFICATION
1	184-5356	1	BRACKET	
2	400080X1	12	FLAT WASHER	22MM X 35MM X 3.5MM
3	400194X1	6	HEXAGONAL HEAD BOLT	M20 X 2.5 X 180MM, CL10.9
4	400236X1	6	HEXAGONAL HEAD BOLT	M20 X 2.5 X 120MM, CL10.9

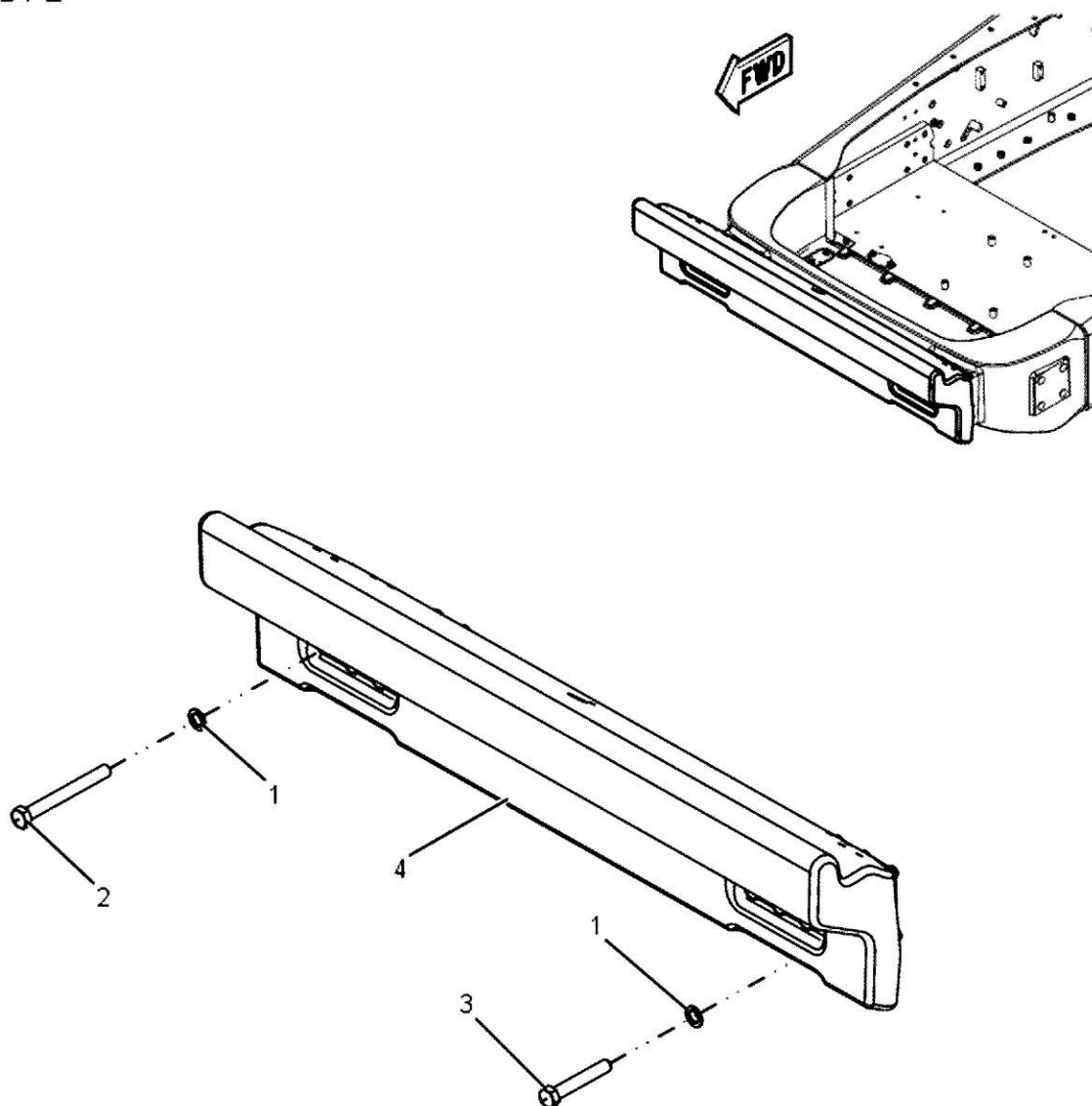
184-5357-06--



184-5357 - COUNTERWEIGHT GROUP, FRONT

ITEM	PART NUMBER	QTY	DESCRIPTION COMMENTS	TECHNICAL SPECIFICATION
1	184-5356	1	BRACKET	
2	202-9220	32	COUNTERWEIGHT	100LB
3	400080X1	12	FLAT WASHER	22MM X 35MM X 3.5MM
4	400194X1	6	HEXAGONAL HEAD BOLT	M20 X 2.5 X 180MM, CL10.9
5	400236X1	6	HEXAGONAL HEAD BOLT	M20 X 2.5 X 120MM, CL10.9
6	CH7X-0583	6	FLAT WASHER	17MM X 45MM X 6MM
7	400267X1	6	HEXAGONAL HEAD BOLT	M16 X 2 X 550MM, CL10.9
8	CH202-9222	1	PIN	31.8MM OD
9	400357X1	1	FLAT WASHER	M12 X 25.5 X 3MM
10	400041X1	1	HEXAGONAL HEAD BOLT	M12 X 1.75 X 30MM, CL10.9
11	202-9223	3	SPACER PLATE	

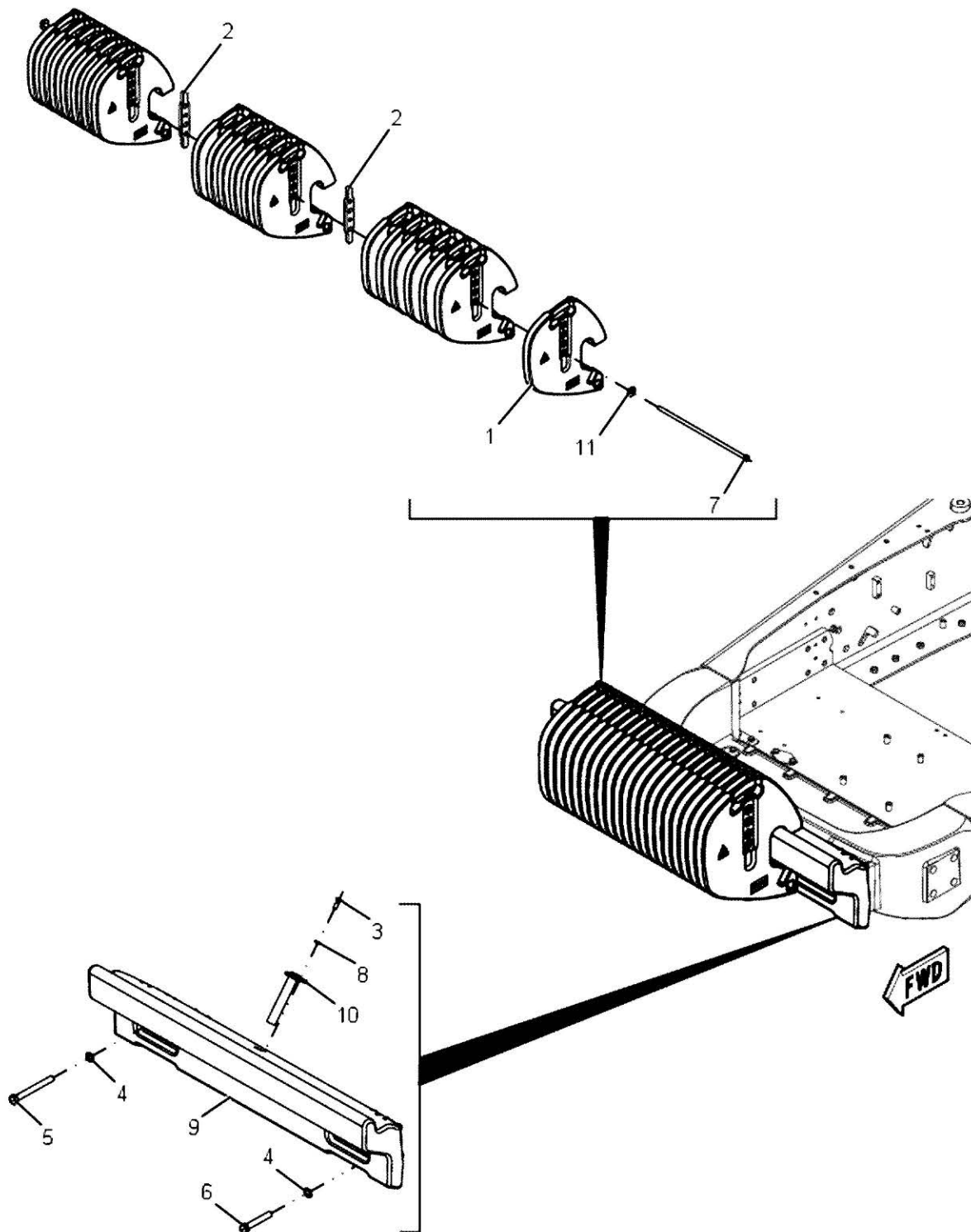
584106D1-2-



584106D1 - COUNTERWEIGHT GROUP, FRONT - 2016

ITEM	PART NUMBER	QTY	DESCRIPTION COMMENTS	TECHNICAL SPECIFICATION
1	400080X1	12	FLAT WASHER	22MM X 35MM X 3.5MM
2	400194X1	6	HEXAGONAL HEAD BOLT	M20 X 2.5 X 180MM, CL10.9
3	400236X1	6	HEXAGONAL HEAD BOLT	M20 X 2.5 X 120MM, CL10.9
4	584044D1	1	BRACKET ASSY.	

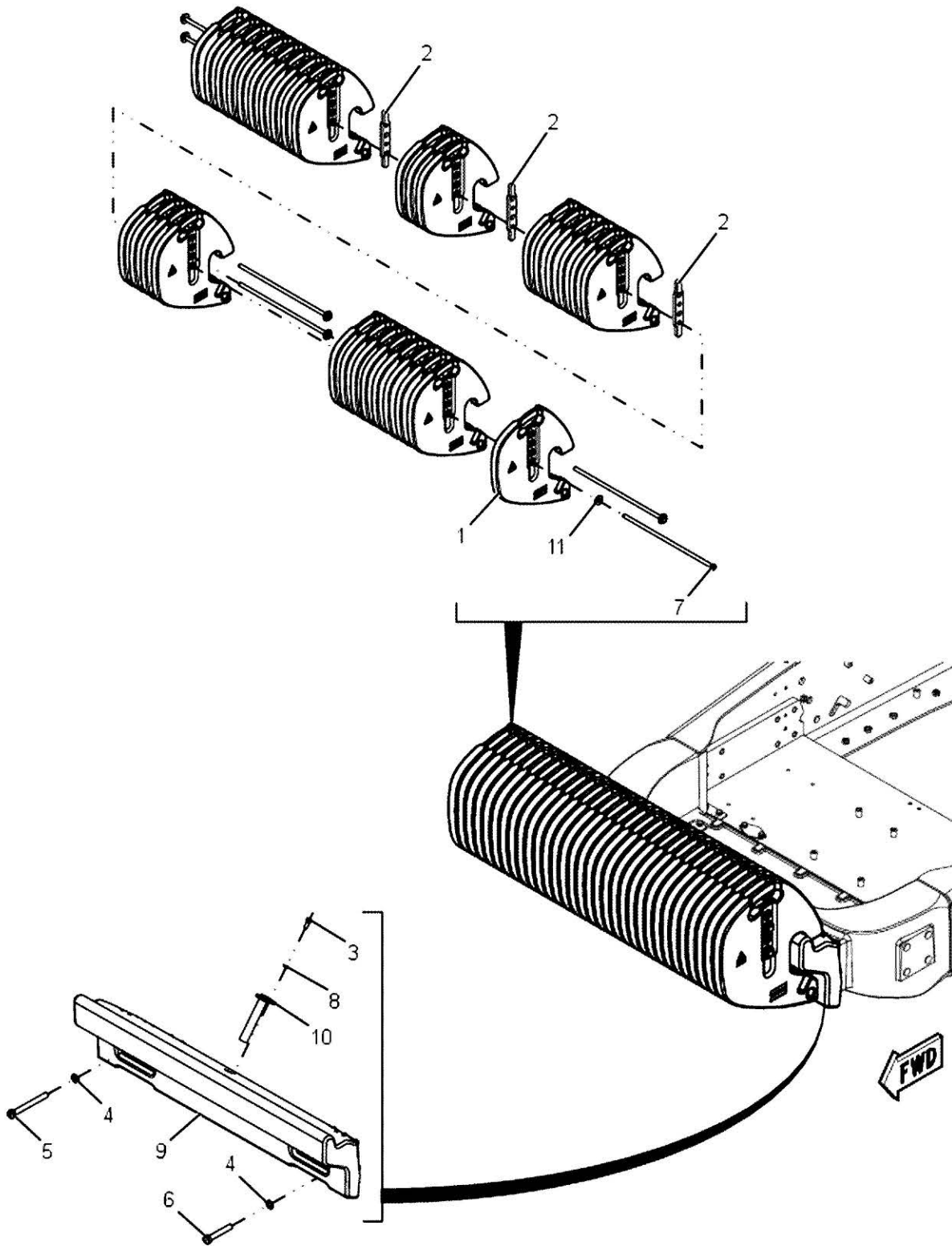
584107D1-2-



584107D1 - COUNTERWEIGHT GROUP, FRONT - 2016

ITEM	PART NUMBER	QTY	DESCRIPTION COMMENTS	TECHNICAL SPECIFICATION
1	202-9220	20	COUNTERWEIGHT	100LB
2	202-9223	2	SPACER PLATE	
3	400041X1	1	HEXAGONAL HEAD BOLT	M12 X 1.75 X 30MM, CL10.9
4	400080X1	12	FLAT WASHER	22MM X 35MM X 3.5MM
5	400194X1	6	HEXAGONAL HEAD BOLT	M20 X 2.5 X 180MM, CL10.9
6	400236X1	6	HEXAGONAL HEAD BOLT	M20 X 2.5 X 120MM, CL10.9
7	400267X1	2	HEXAGONAL HEAD BOLT	M16 X 2 X 550MM, CL10.9
8	400357X1	1	FLAT WASHER	M12 X 25.5 X 3MM
9	584044D1	1	BRACKET ASSY.	
10	CH202-9222	1	PIN	31.8MM OD
11	CH7X-0583	2	FLAT WASHER	17MM X 45MM X 6MM

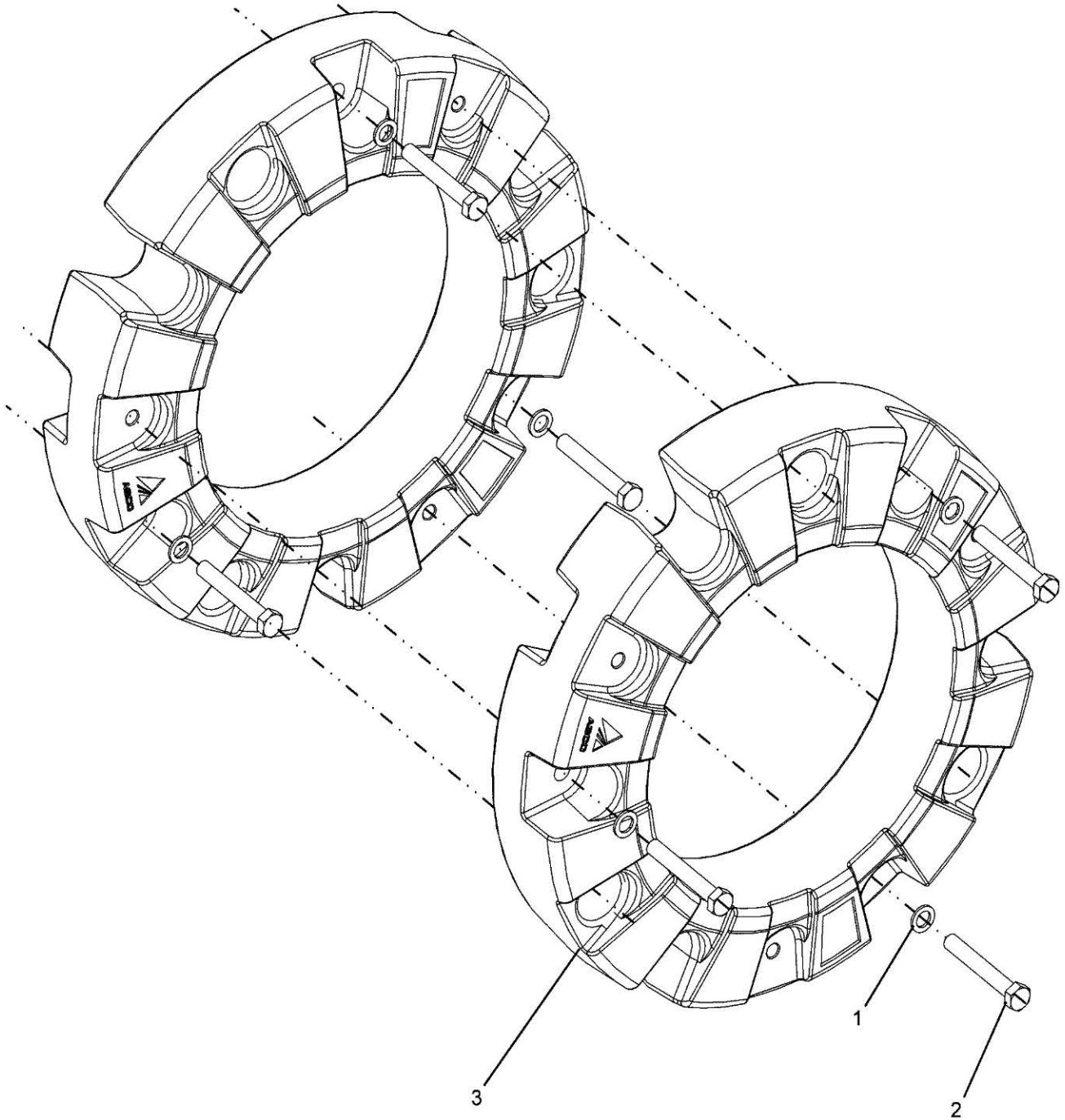
584108D1-2-



584108D1 - COUNTERWEIGHT GROUP, FRONT - 2016

ITEM	PART NUMBER	QTY	DESCRIPTION COMMENTS	TECHNICAL SPECIFICATION
1	202-9220	32	COUNTERWEIGHT	100LB
2	202-9223	3	SPACER PLATE	
3	400041X1	1	HEXAGONAL HEAD BOLT	M12 X 1.75 X 30MM, CL10.9
4	400080X1	12	FLAT WASHER	22MM X 35MM X 3.5MM
5	400194X1	6	HEXAGONAL HEAD BOLT	M20 X 2.5 X 180MM, CL10.9
6	400236X1	6	HEXAGONAL HEAD BOLT	M20 X 2.5 X 120MM, CL10.9
7	400267X1	6	HEXAGONAL HEAD BOLT	M16 X 2 X 550MM, CL10.9
8	400357X1	1	FLAT WASHER	M12 X 25.5 X 3MM
9	584044D1	1	BRACKET ASSY.	
10	CH202-9222	1	PIN	31.8MM OD
11	CH7X-0583	6	FLAT WASHER	17MM X 45MM X 6MM

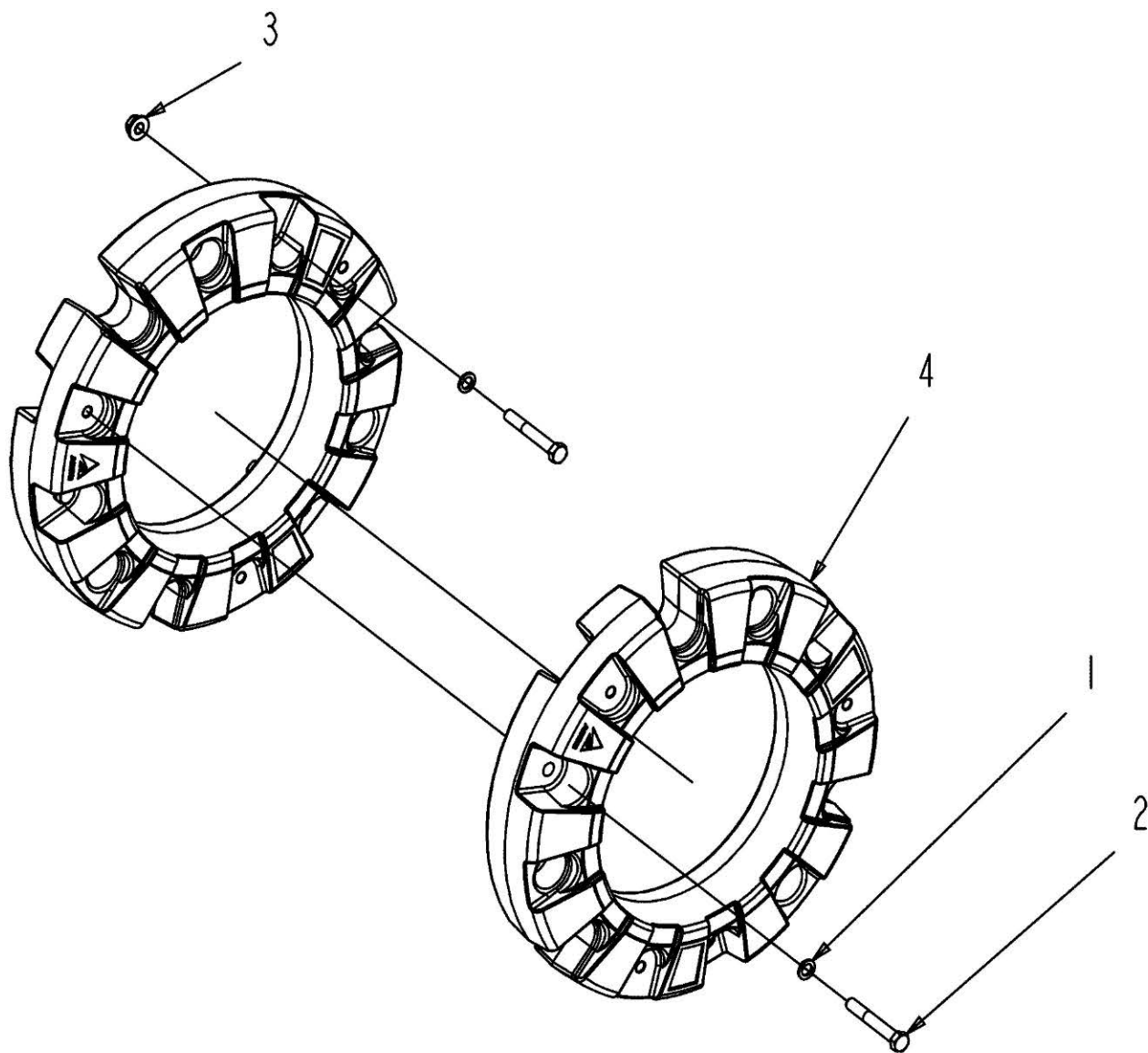
544406D1-01-W630



544406D1 - WHEEL COUNTERWEIGHT GROUP, 454 KG

ITEM	PART NUMBER	QTY	DESCRIPTION COMMENTS	TECHNICAL SPECIFICATION
1	400080X1	6	FLAT WASHER	22MM X 35MM X 3.5MM
2	400206X1	6	HEXAGONAL HEAD BOLT	M20 X 2.5 X 140MM, CL10.9
3	511480D1	2	COUNTERWEIGHT	227K

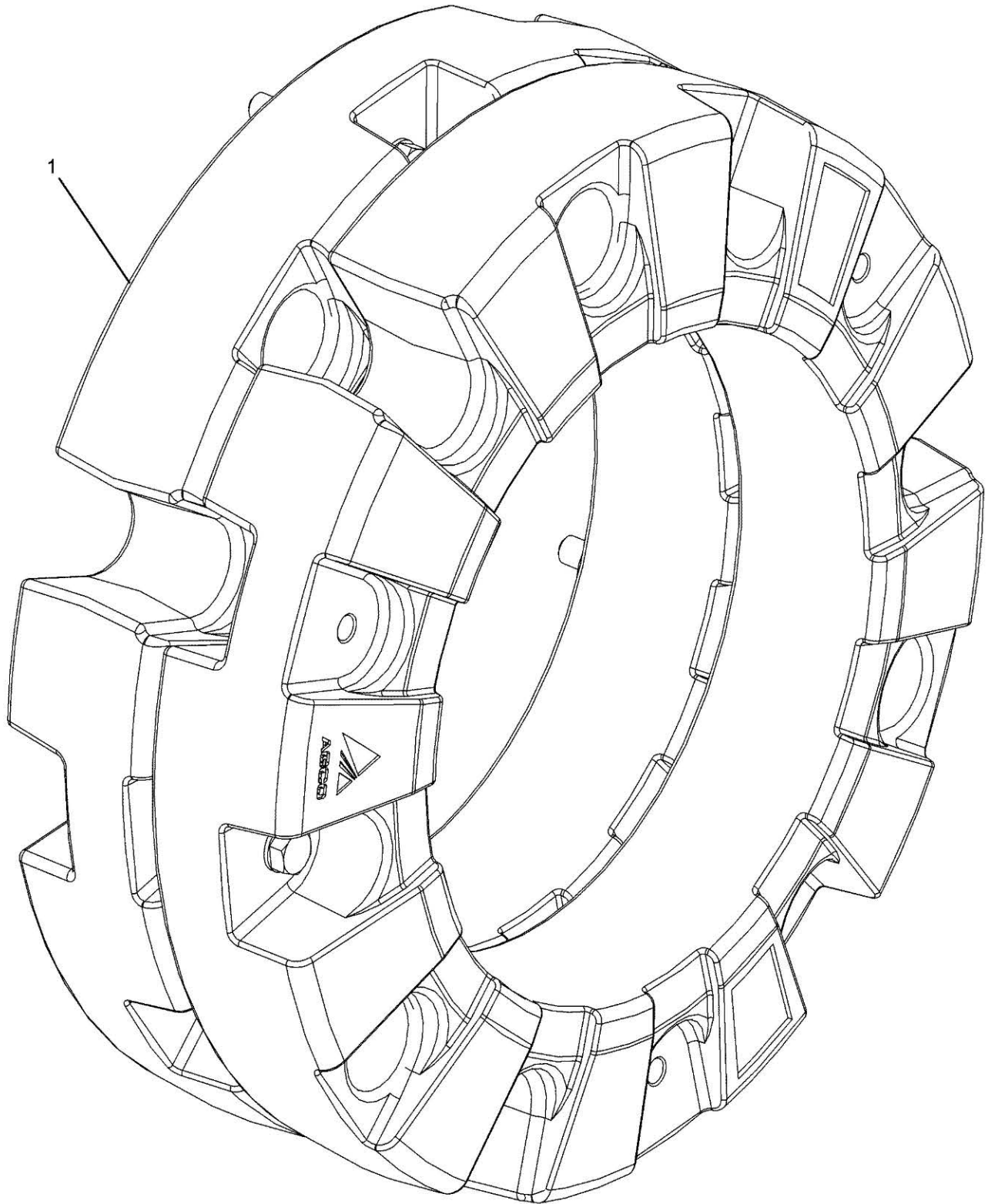
509088D1-03-W629



509088D1 - WHEEL COUNTERWEIGHT GROUP, 1000 LB

ITEM	PART NUMBER	QTY	DESCRIPTION COMMENTS	TECHNICAL SPECIFICATION
1	400080X1	9	FLAT WASHER	22MM X 35MM X 3.5MM
2	400206X1	6	HEXAGONAL HEAD BOLT	M20 X 2.5 X 140MM, CL10.9
3	401700X1	6	HEX FLANGE LOCKNUT	M20
4	511480D1	2	COUNTERWEIGHT	227K

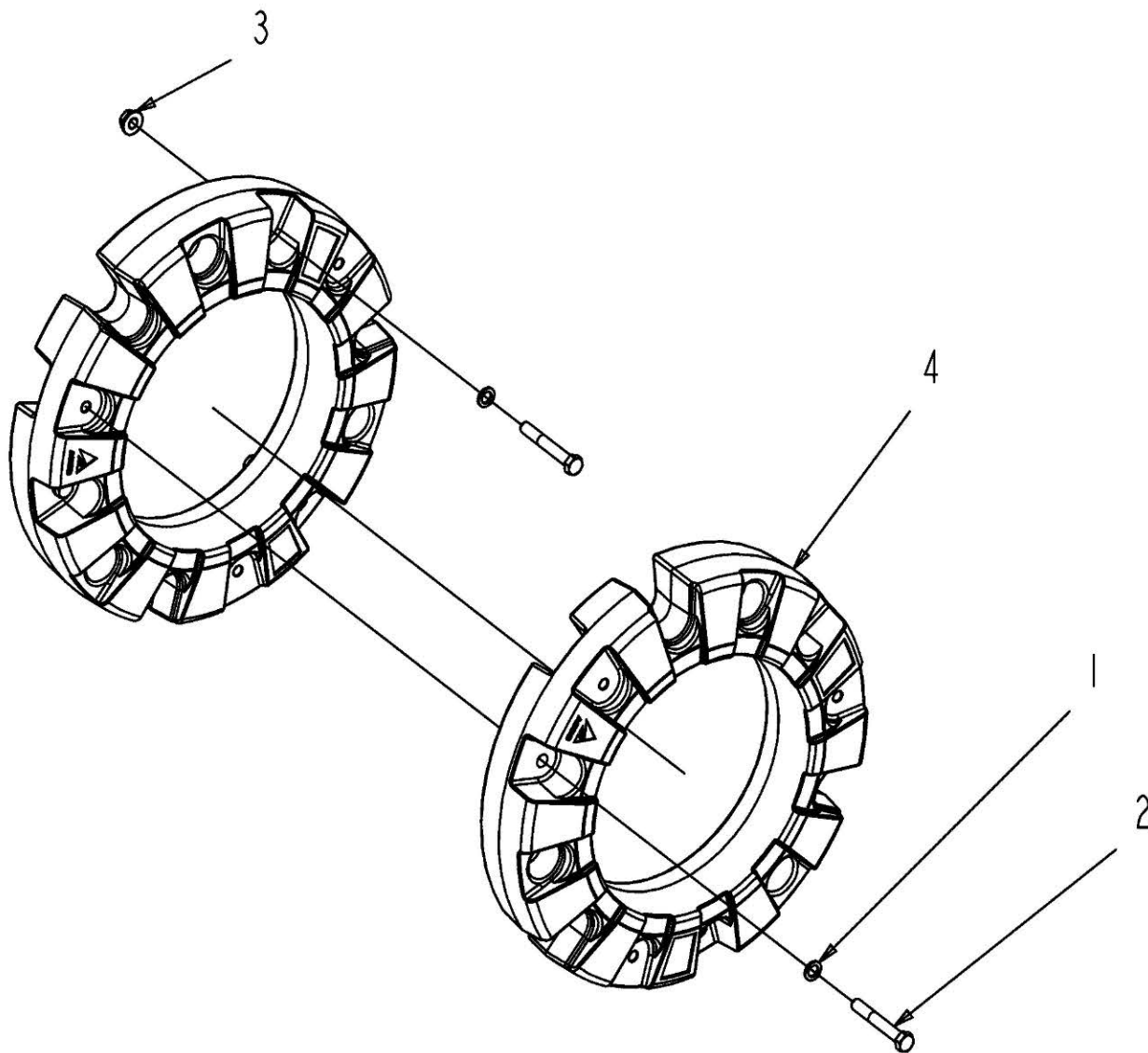
544407D1-01-W630



544407D1 - WHEEL COUNTERWEIGHT ARRANGEMENT, 1816 KILOGRAMS

ITEM	PART NUMBER	QTY	DESCRIPTION COMMENTS	TECHNICAL SPECIFICATION
1	NS	4	NON-SERVICEABLE PART SEE PAGE 18-0009	

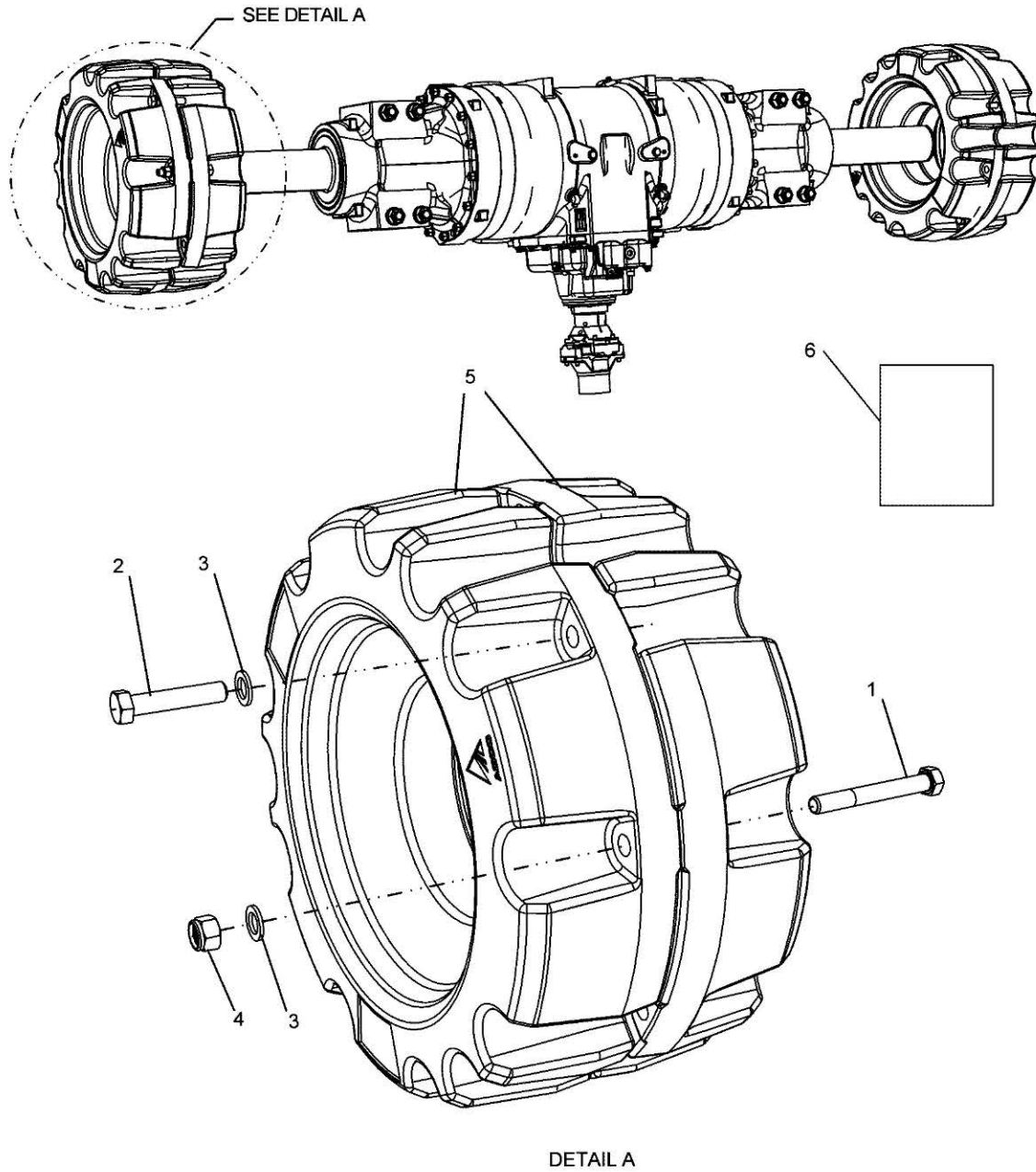
509089D1-03-W629



509089D1 - WHEEL COUNTERWEIGHT GROUP

ITEM	PART NUMBER	QTY	DESCRIPTION COMMENTS	TECHNICAL SPECIFICATION
1	400080X1	9	FLAT WASHER	22MM X 35MM X 3.5MM
2	400206X1	6	HEXAGONAL HEAD BOLT	M20 X 2.5 X 140MM, CL10.9
3	401700X1	6	HEX FLANGE LOCKNUT	M20
4	511480D1	2	COUNTERWEIGHT	227K

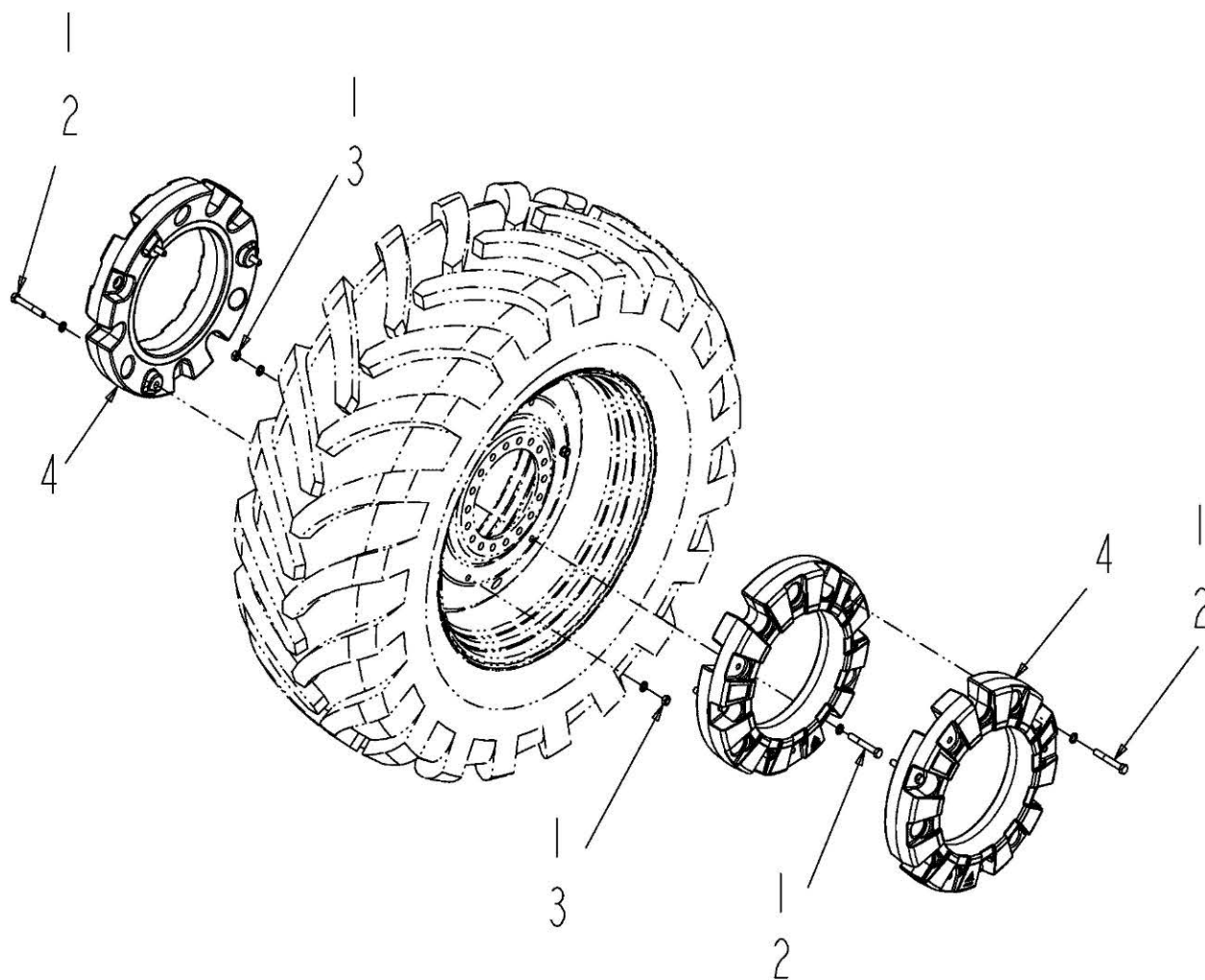
512485D1-04-W629



512485D1 - WHEEL COUNTERWEIGHT GROUP

ITEM	PART NUMBER	QTY	DESCRIPTION COMMENTS	TECHNICAL SPECIFICATION
1	400026X1	6	HEXAGONAL HEAD BOLT	M20 X 2.5 X 160MM, CL10.9
2	400032X1	12	BOLT	
3	400080X1	18	FLAT WASHER	22MM X 35MM X 3.5MM
4	401700X1	6	HEX FLANGE LOCKNUT	M20
5	512713D1	4	WEIGHT 363 KG	
6	527676D1	1	INSTRUCTIONS	

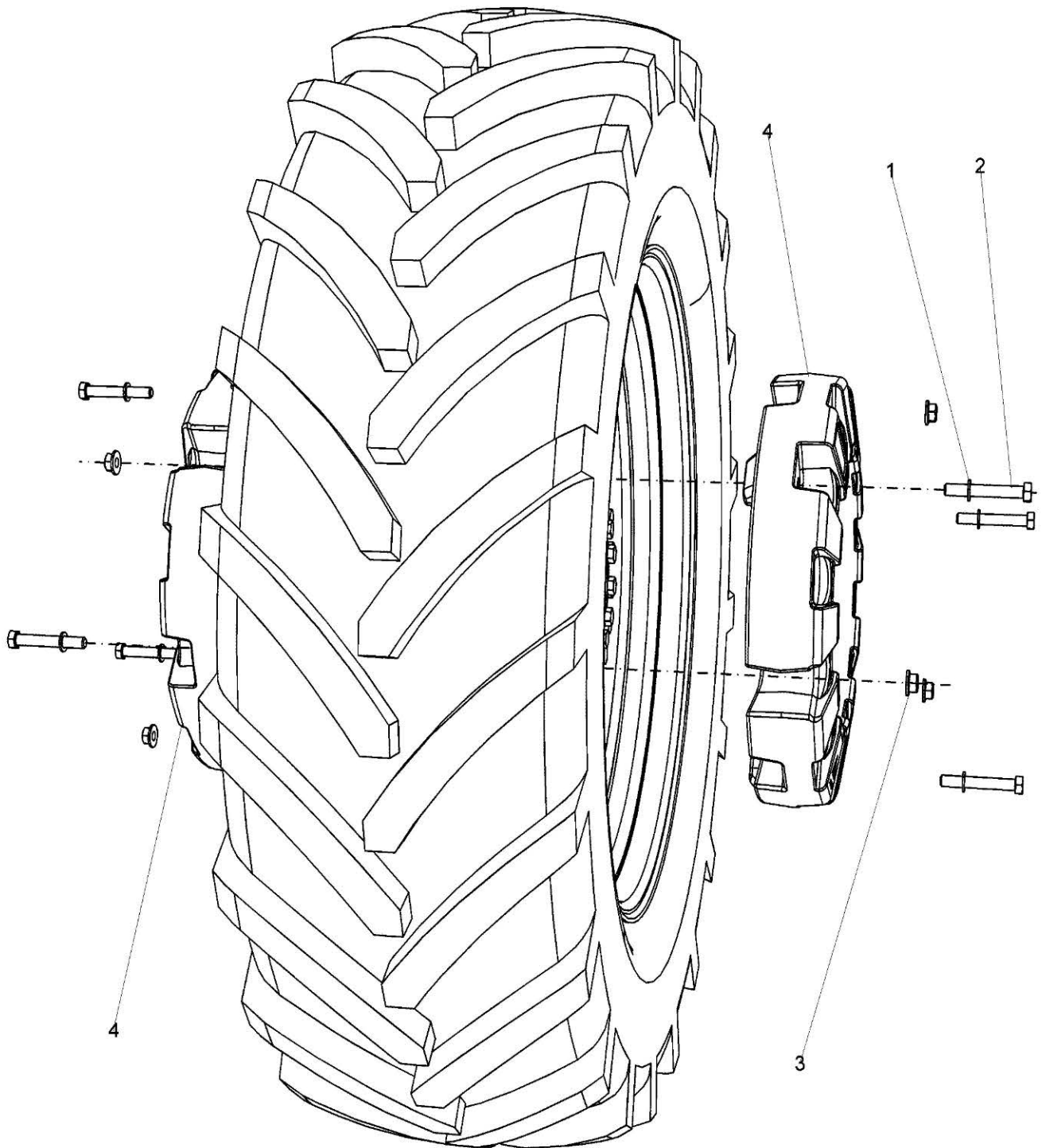
509087D1-03-R296



509087D1 - WHEEL COUNTERWEIGHT GROUP, REAR

ITEM	PART NUMBER	QTY	DESCRIPTION COMMENTS	TECHNICAL SPECIFICATION
1	400080X1	15	FLAT WASHER	22MM X 35MM X 3.5MM
2	400206X1	9	HEXAGONAL HEAD BOLT	M20 X 2.5 X 140MM, CL10.9
3	400286X1	6	NUT	20X2.5X18/HEX/ZN
4	511480D1	3	COUNTERWEIGHT	227K

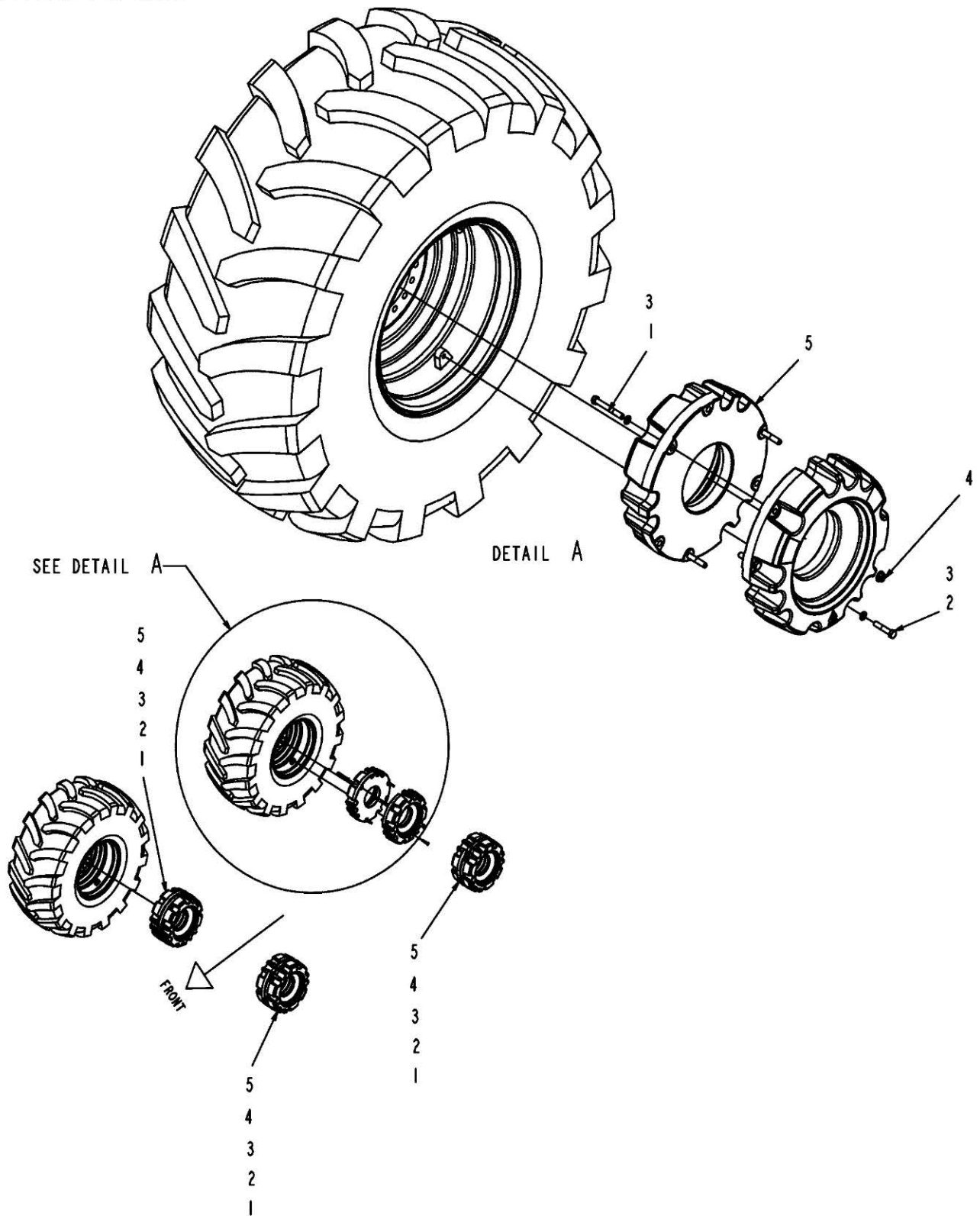
517212D1-3-Y756



517212D1 - WHEEL COUNTERWEIGHT GROUP, REAR

ITEM	PART NUMBER	QTY	DESCRIPTION COMMENTS	TECHNICAL SPECIFICATION
1	400080X1	12	FLAT WASHER	22MM X 35MM X 3.5MM
2	400206X1	12	HEXAGONAL HEAD BOLT	M20 X 2.5 X 140MM, CL10.9
3	401700X1	12	HEX FLANGE LOCKNUT	M20
4	511480D1	4	COUNTERWEIGHT	227K

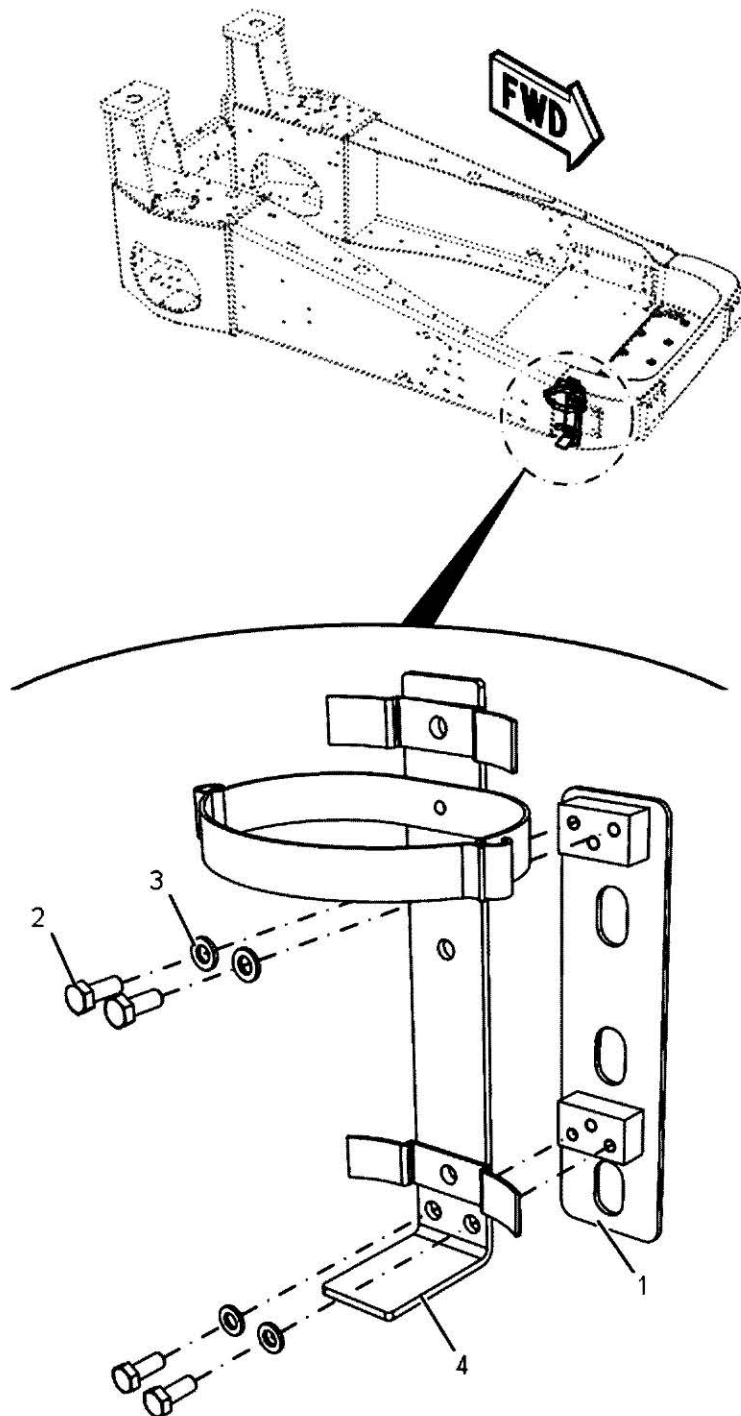
509093D1-03-W629



509093D1 - WHEEL COUNTERWEIGHT GROUP, SPECIAL APPLICATION

ITEM	PART NUMBER	QTY	DESCRIPTION COMMENTS	TECHNICAL SPECIFICATION
1	400026X1	12	HEXAGONAL HEAD BOLT	M20 X 2.5 X 160MM, CL10.9
2	400032X1	12	BOLT	
3	400080X1	24	FLAT WASHER	22MM X 35MM X 3.5MM
4	401700X1	12	HEX FLANGE LOCKNUT	M20
5	512713D1	8	WEIGHT 363 KG	

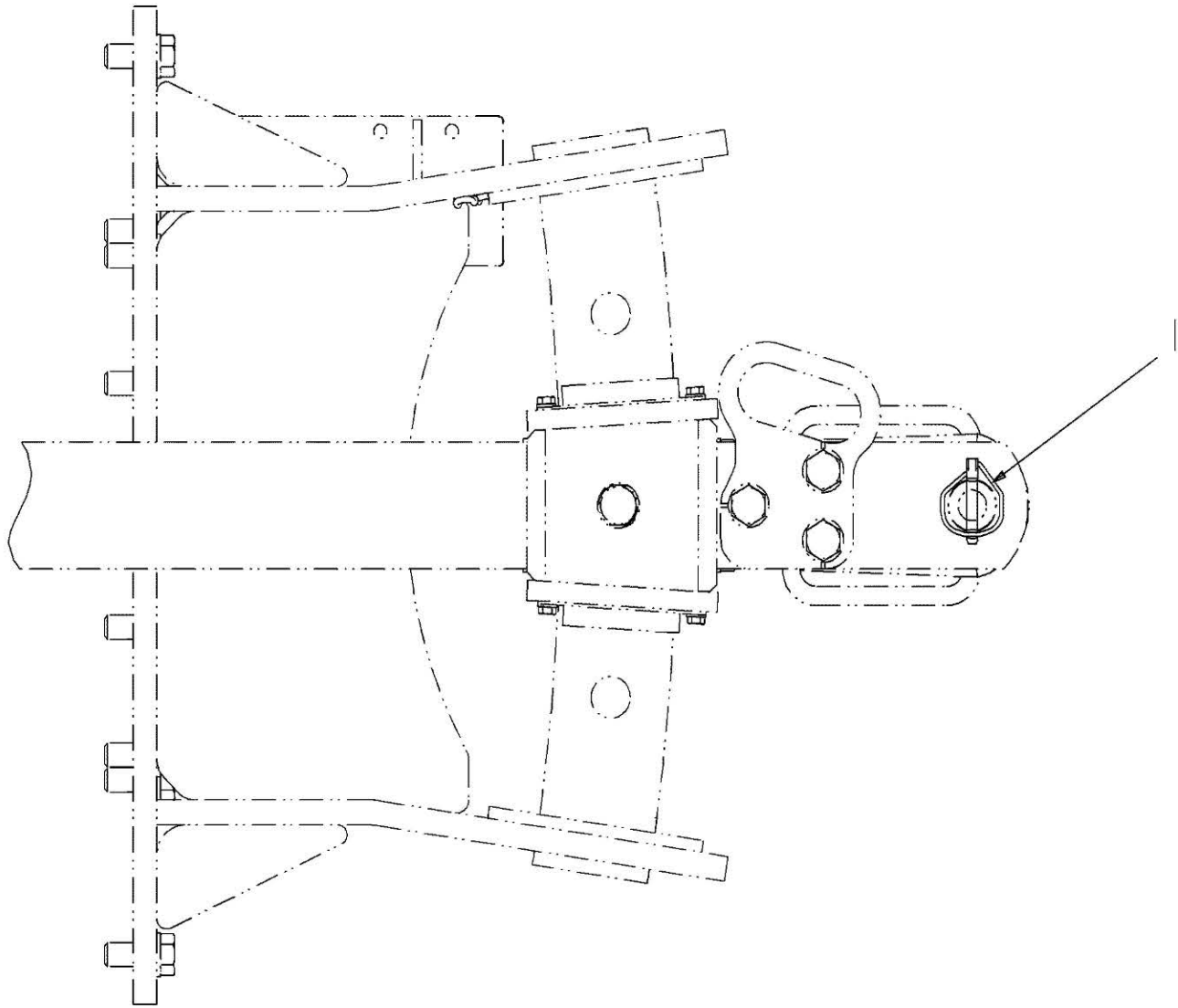
208-7698-4-01-



208-7698 - FIRE EXTINGUISHER MOUNTING KIT

ITEM	PART NUMBER	QTY	DESCRIPTION COMMENTS	TECHNICAL SPECIFICATION
1	203-5564	1	BRACKET	
2	400053X1	4	HEXAGONAL HEAD BOLT	M8 X 1.25 X 20MM, CL10.9
3	400339X1	4	FLAT WASHER	9MM X 16MM X 2MM
4	500505D1	1	BRACKET FIRE	

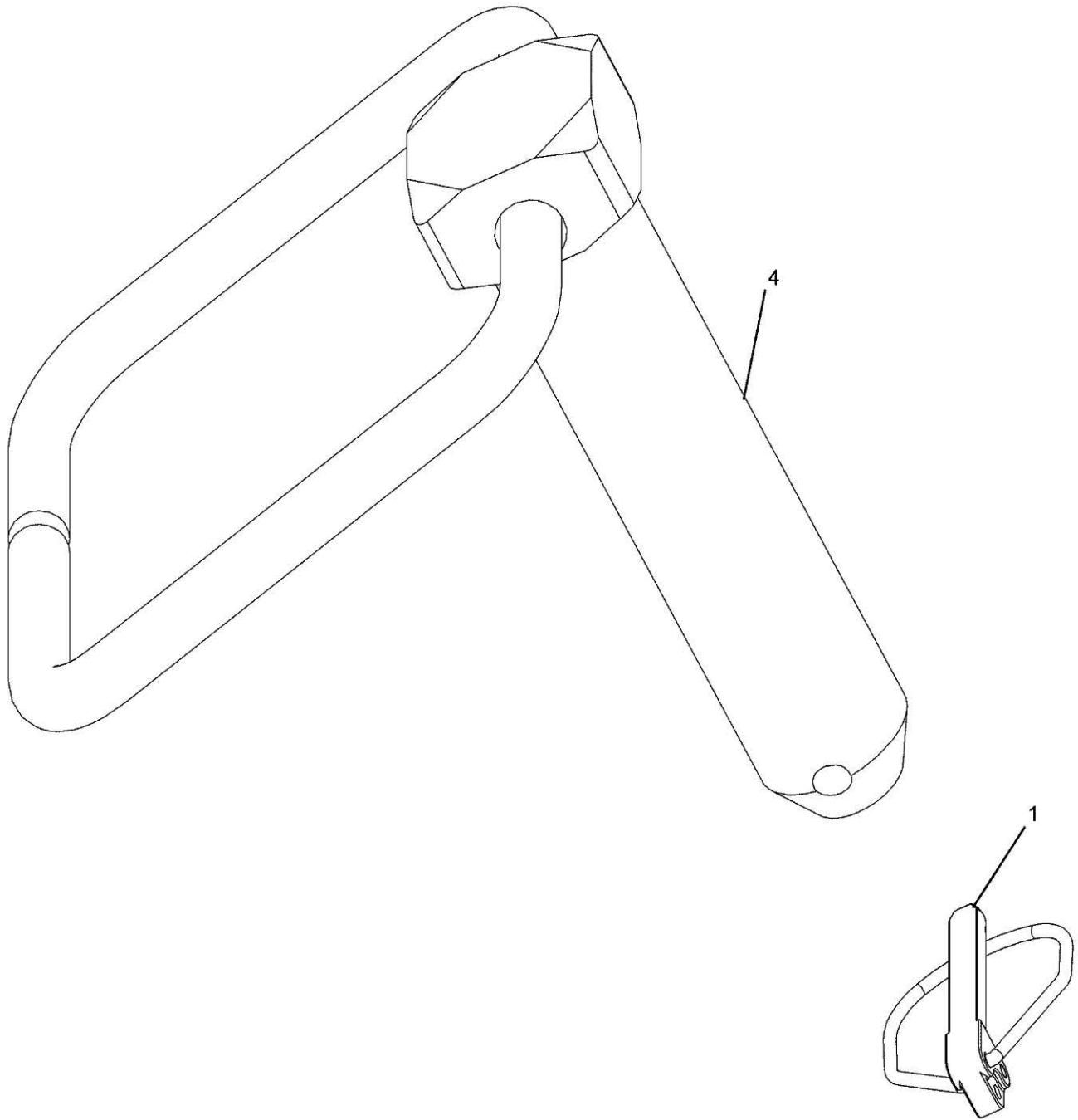
525684D1-01-R908



525684D1 - DRAWBAR LYNCH PIN INSTALLATION

ITEM	PART NUMBER	QTY	DESCRIPTION COMMENTS	TECHNICAL SPECIFICATION
1	525683D1	1	PIN	

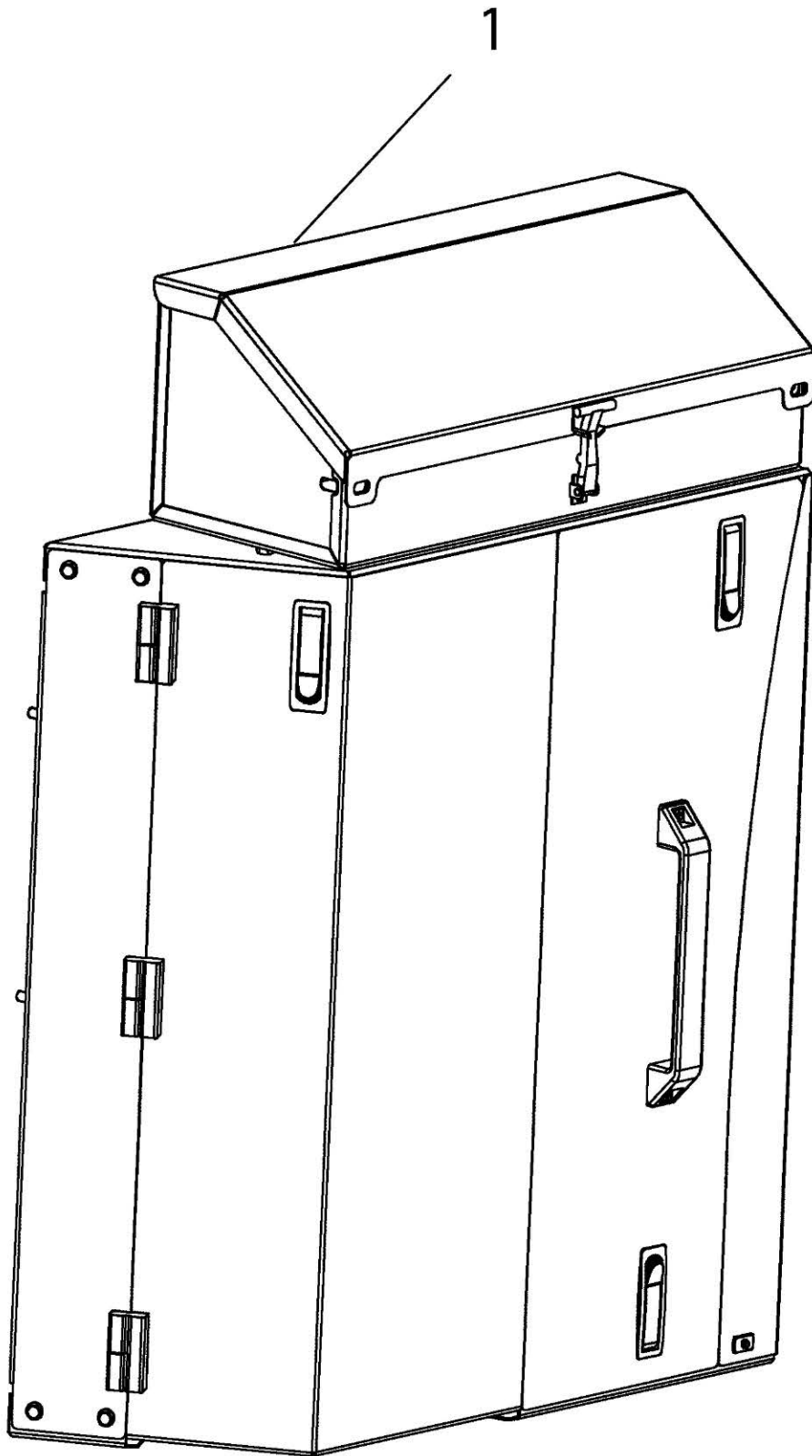
525685D1-02-V330



525685D1 - DRAWBAR PIN WITH LYNCH PIN KIT

ITEM	PART NUMBER	QTY	DESCRIPTION COMMENTS	TECHNICAL SPECIFICATION
			APPLIES TO ALL ROW TRACTORS.	
1	525683D1	1	PIN	
4	532577D1	1	PIN	50.8 MM DIA

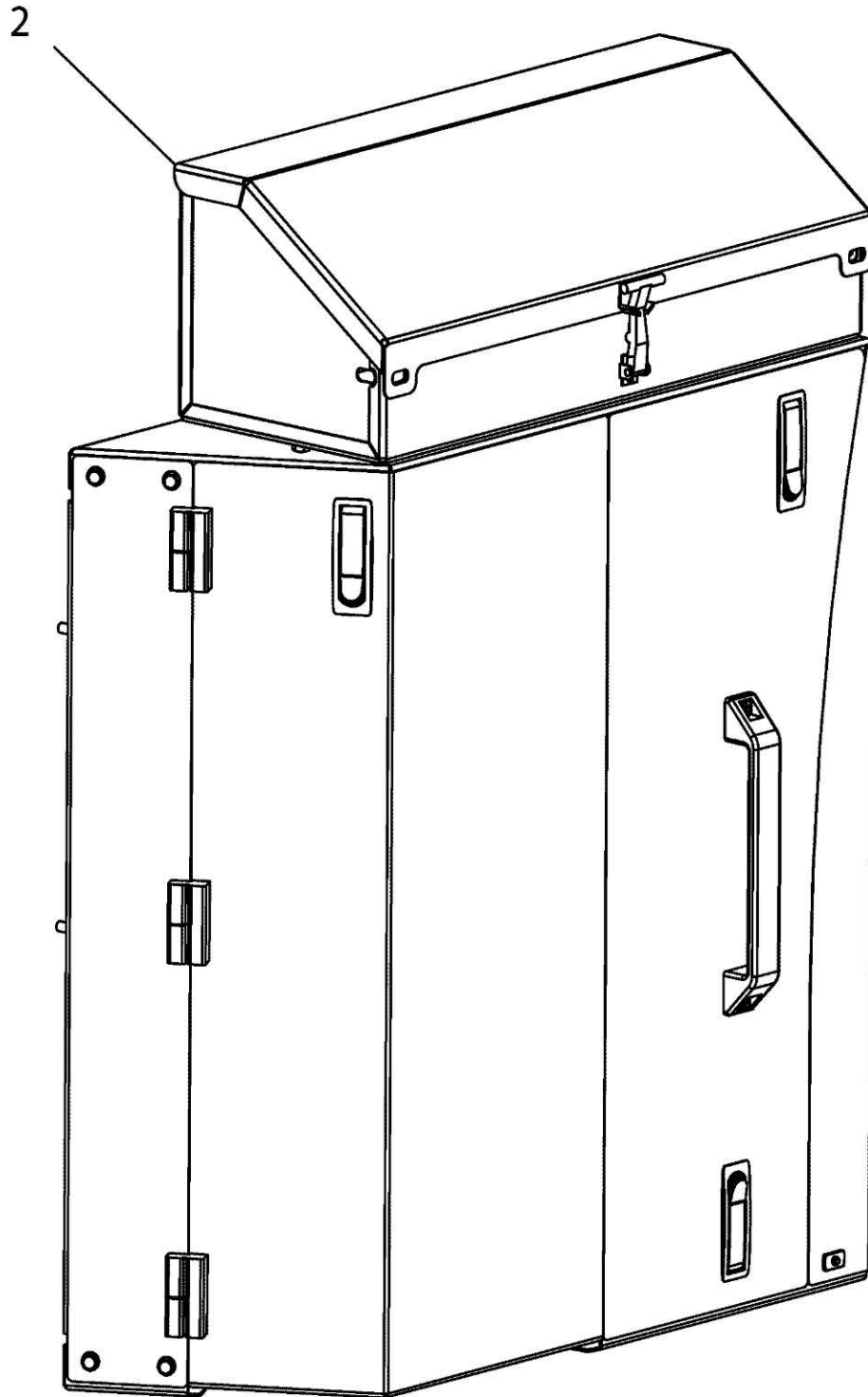
530118D1-01-V280



530118D1 - TOOLBOX ARRANGEMENT

ITEM	PART NUMBER	QTY	DESCRIPTION COMMENTS	TECHNICAL SPECIFICATION
1	NS	1	NON-SERVICEABLE PART SEE PAGE 18-0022	

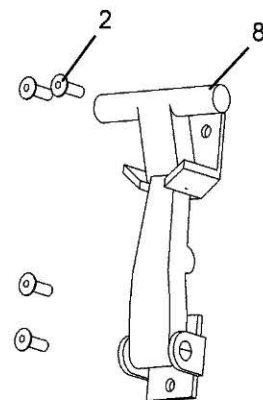
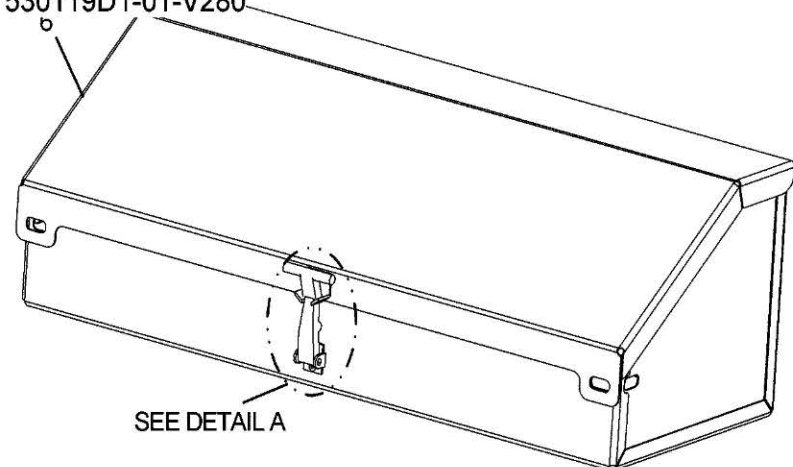
530130D1-01-V280



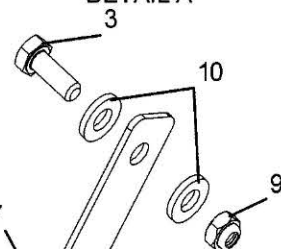
530130D1 - TOOLBOX ARRANGEMENT, FIELD INSTALLATION

ITEM	PART NUMBER	QTY	DESCRIPTION COMMENTS	TECHNICAL SPECIFICATION
2	NS	1	NON-SERVICEABLE PART SEE PAGE 18-0022	

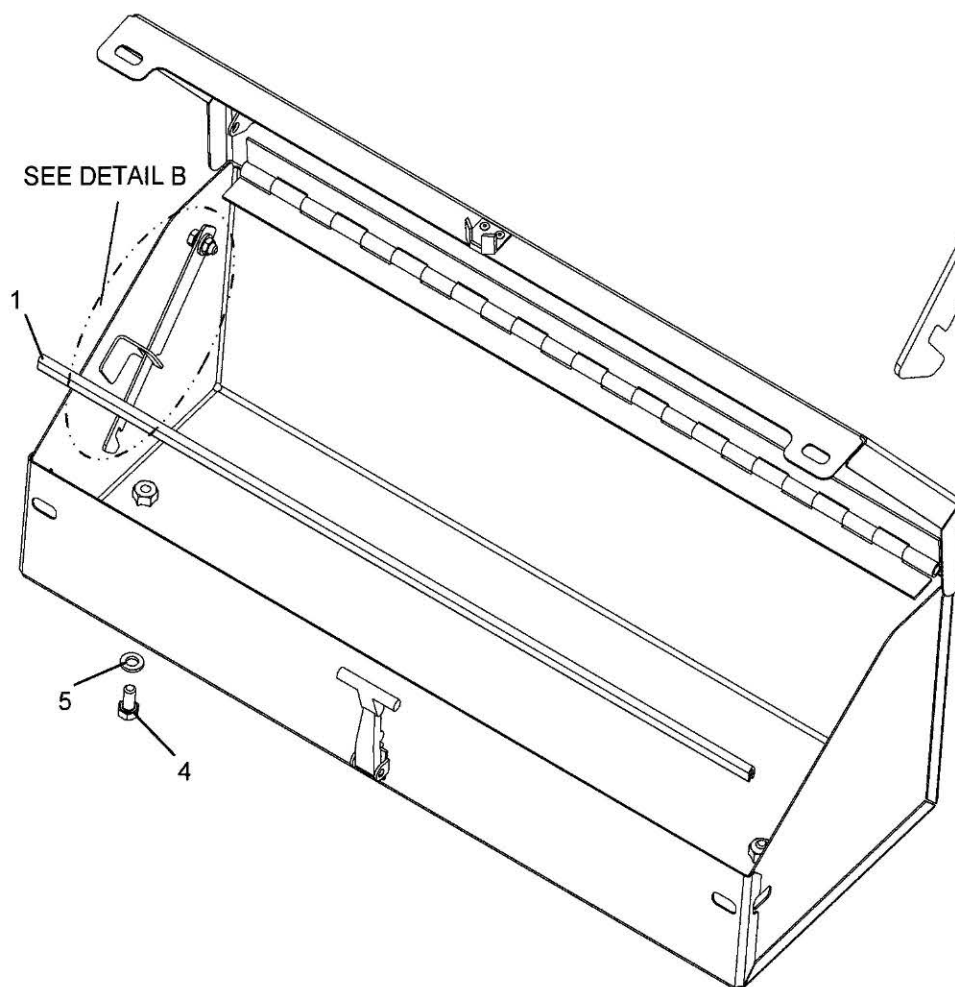
530119D1-01-V280



DETAIL A



DETAIL B



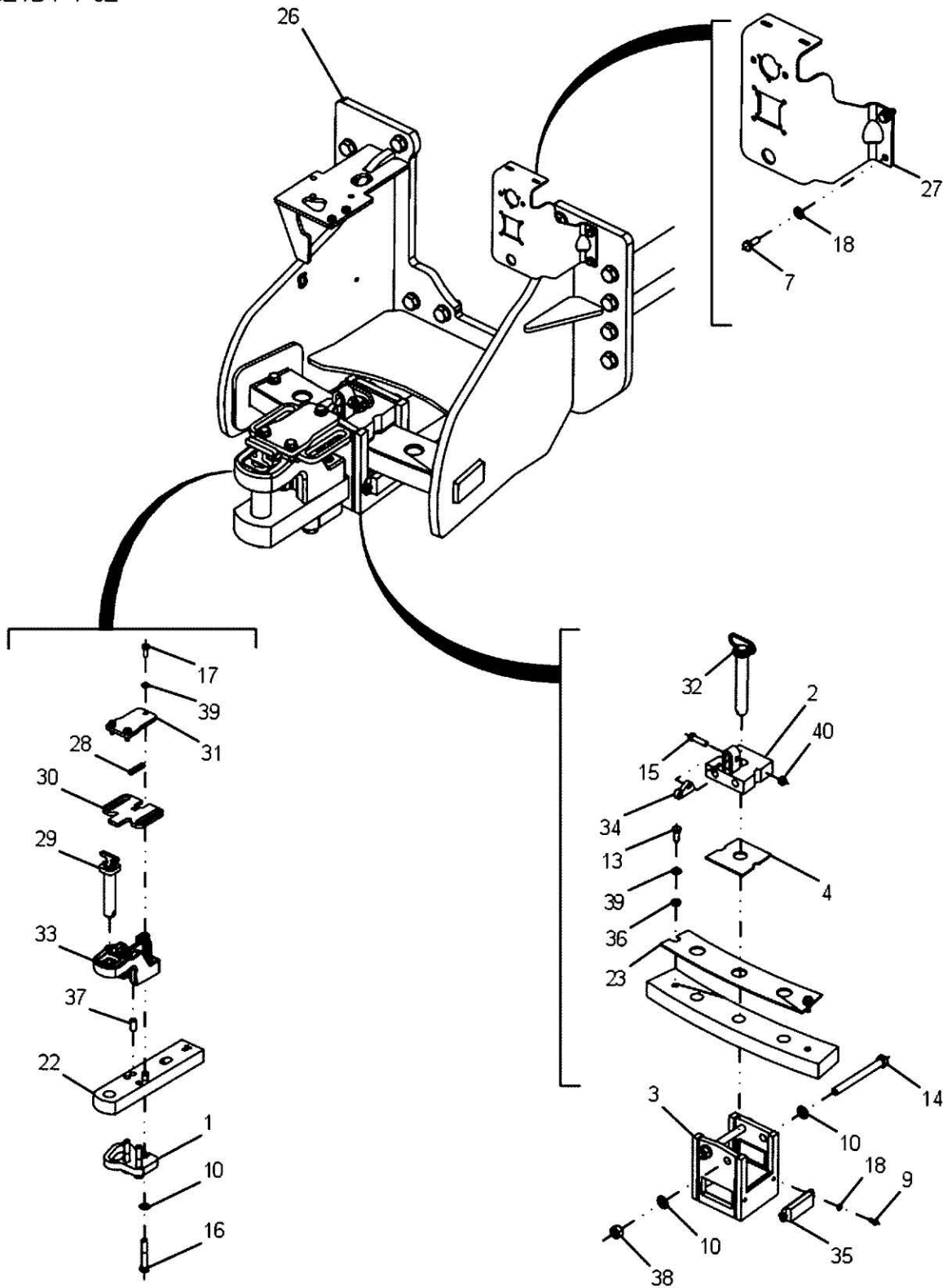
530119D1 - TOOLBOX GROUP

ITEM	PART NUMBER	QTY	DESCRIPTION COMMENTS	TECHNICAL SPECIFICATION
1	AG523216	-	EDGE TRIM BULK: 600 FT	0.9MM PVC
2	AG561884	4	POP RIVET WITH DOME HEAD	.12 X .25
3	400152X1	1	HEXAGONAL HEAD BOLT	M6 X 1 X 16MM, CL10.9
4	400227X1	2	HEXAGONAL HEAD BOLT	M8X1.25 THD X 16 10.9
5	400339X1	2	FLAT WASHER	9MM X 16MM X 2MM
6	530120D1	1	TOOL BOX	
7	530121D1	1	SUPPORT	
8	CH118-0772	1	LATCH T-BALL	
9	CH129-3178	1	HEX LOCKNUT	M6 X 1MM
10	CH8T-4205	2	FLAT WASHER	7.2MM X 14.5MM X 2MM

576021D1 - SWINGING DRAWBAR GROUP, WIDE - CATEGORY 4 DRAWBAR

ITEM	PART NUMBER	QTY	DESCRIPTION COMMENTS	TECHNICAL SPECIFICATION
5	AG522284	1	HEX LOCKNUT	M12 X 1.75
6	400035X1	14	HEXAGONAL HEAD BOLT	M24 X 3 X 60MM, CL10.9
8	400053X1	2	HEXAGONAL HEAD BOLT	M8 X 1.25 X 20MM, CL10.9
10	400081X1	21	FLAT WASHER	26MM X 44MM X 4MM
11	400090X1	7	PROTECTIVE PLUG	M20
12	400091X1	4	PROTECTIVE PLUG	M24
19	400339X1	2	FLAT WASHER	9MM X 16MM X 2MM
20	400357X1	2	FLAT WASHER	M12 X 25.5 X 3MM
21	402147X1	1	HEXAGONAL HEAD BOLT	M12 X 1.75 X 250MM, CL10.9
24	511948D1	1	BRACKET	
25	519812D1	1	PIN	50.8 DIA X 200

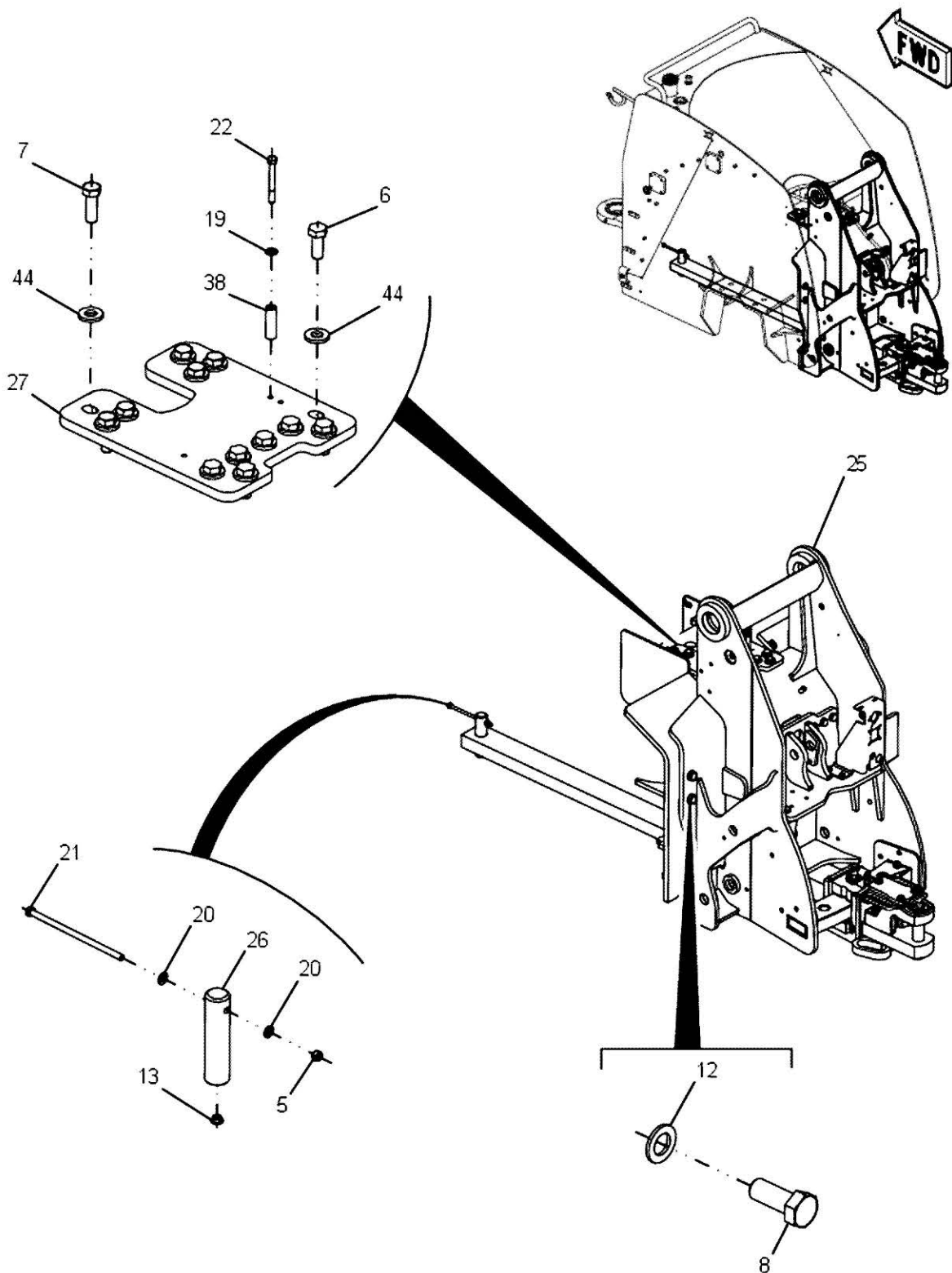
576021D1-1-02



576021D1 - SWINGING DRAWBAR GROUP, WIDE - CATEGORY 4 DRAWBAR

ITEM	PART NUMBER	QTY	DESCRIPTION COMMENTS	TECHNICAL SPECIFICATION
1	184-5062	1	PLATE	
2	196-3036	1	PLATE	
3	196-3052	1	BRACKET	
4	206-4619	1	WEAR PLATE	
7	400039X1	2	HEXAGONAL HEAD BOLT	M10 X 1.5 X 25MM, CL10.9
9	400054X1	4	HEXAGONAL HEAD BOLT	M10 X 1.5 X 16MM, CL10.9
10	400081X1	21	FLAT WASHER	26MM X 44MM X 4MM
13	400191X1	2	HEXAGONAL HEAD BOLT	M16 X 2 X 40MM, CL 10.9
14	400198X1	2	BOLT	
15	400222X1	1	HEXAGONAL HEAD BOLT	M16 X 2.0 X 60MM 10.9
16	400229X1	3	HEXAGONAL HEAD BOLT	M24 X 3 X 140MM, CL10.9
17	400244X1	3	BOLT	M16 X 2 X 45MM, CL10.9
18	400287X1	6	FLAT WASHER	11MM X 21MM X 2.5MM
22	506025D1	1	DRAWBAR	
23	506033D1	1	WEAR PLATE	
26	523691D2	1	SUPPORT	
27	536277D2	1	BRACKET	ASM CONN TRAILER
28	544698D1	1	SPRING	
29	559081D1	1	PIN	51MM
30	559085D1	1	LOCK PLATE	
31	559086D1	1	COVER PLATE	
32	561125D1	1	PIN	38.1 DIA X 228.6
33	566842D3	1	CLEVIS	
34	CH150-8766	1	LATCH	
35	CH200-8749	2	STOP	
36	CH4L-8183	2	SPACER	
37	CH8K-0589	2	DOWEL	
38	CH8T-4001	2	HEX NUT	M24 X 3, GR8
39	CH8T-4122	5	FLAT WASHER	17MM X 32MM X 3.5MM
40	CH8T-4778	1	HEX LOCKNUT	M16 X 2

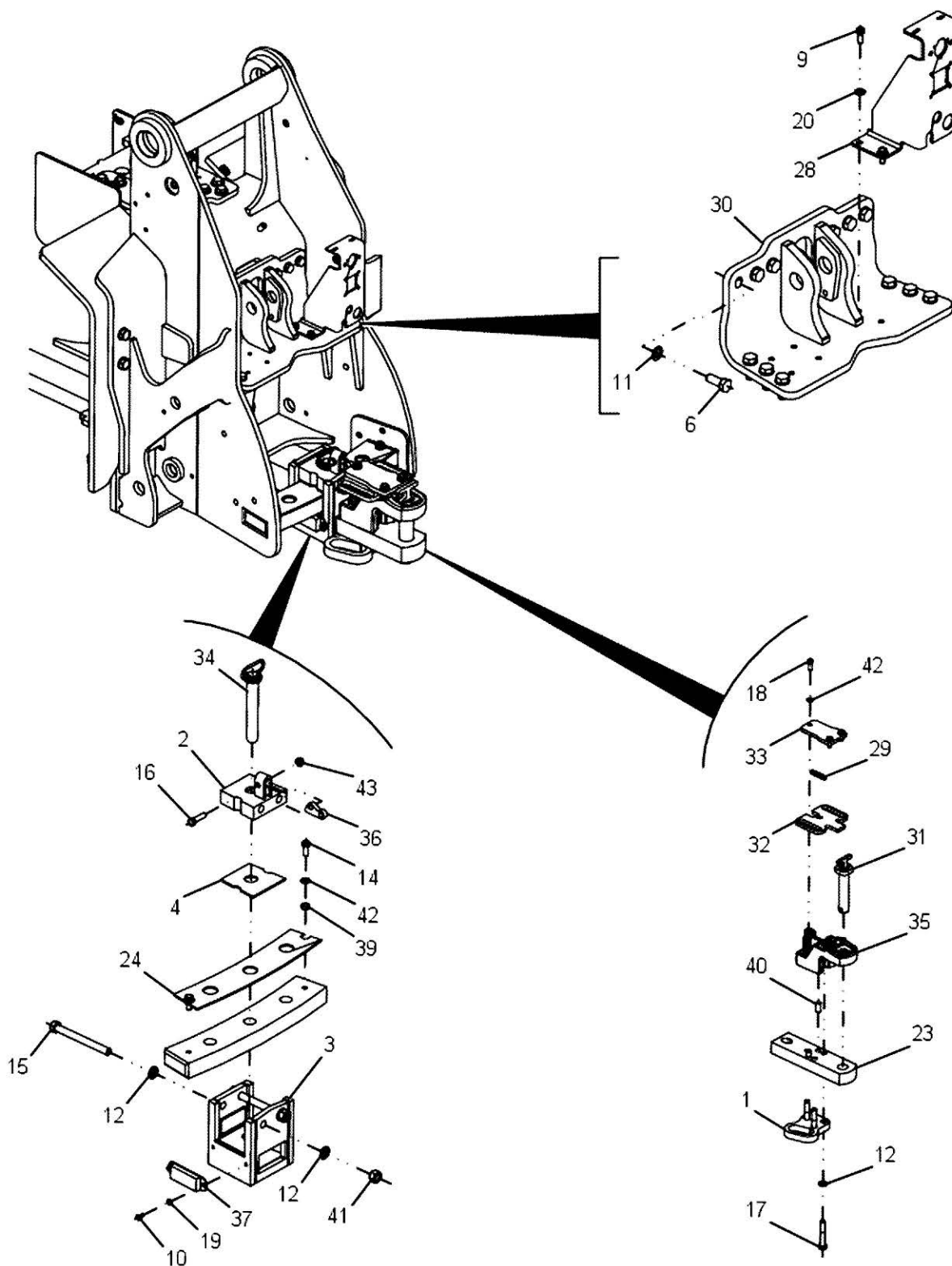
576023D1-4-01



576023D1 - SWINGING DRAWBAR GROUP, CATEGORY 4 - WITH 3 POINT HITCH

ITEM	PART NUMBER	QTY	DESCRIPTION COMMENTS	TECHNICAL SPECIFICATION
5	AG522284	1	HEX LOCKNUT	M12 X 1.75
6	AG691157	19	BOLT	
7	400031X1	6	HEXAGONAL HEAD BOLT	M20 X 2.5 X 60MM, CL10.9
8	400035X1	12	HEXAGONAL HEAD BOLT	M24 X 3 X 60MM, CL10.9
12	400081X1	19	FLAT WASHER	26MM X 44MM X 4MM
13	400090X1	1	PROTECTIVE PLUG	M20
19	400287X1	5	FLAT WASHER	11MM X 21MM X 2.5MM
20	400357X1	4	FLAT WASHER	M12 X 25.5 X 3MM
21	402147X1	1	HEXAGONAL HEAD BOLT	M12 X 1.75 X 250MM, CL10.9
22	402594X1	1	HEXAGONAL HEAD BOLT	M10 X 1.5MM X 85MM CL10.9
25	513949D2	1	FRAME	
26	519812D1	1	PIN	50.8 DIA X 200
27	529039D1	1	PLATE	
38	CH212-0279	1	SPACER	11.1MM ID X 10.1MM OD X 62MM
44	CH8T-5439	13	FLAT WASHER	21.5MM ID X 45MM OD X 6MM

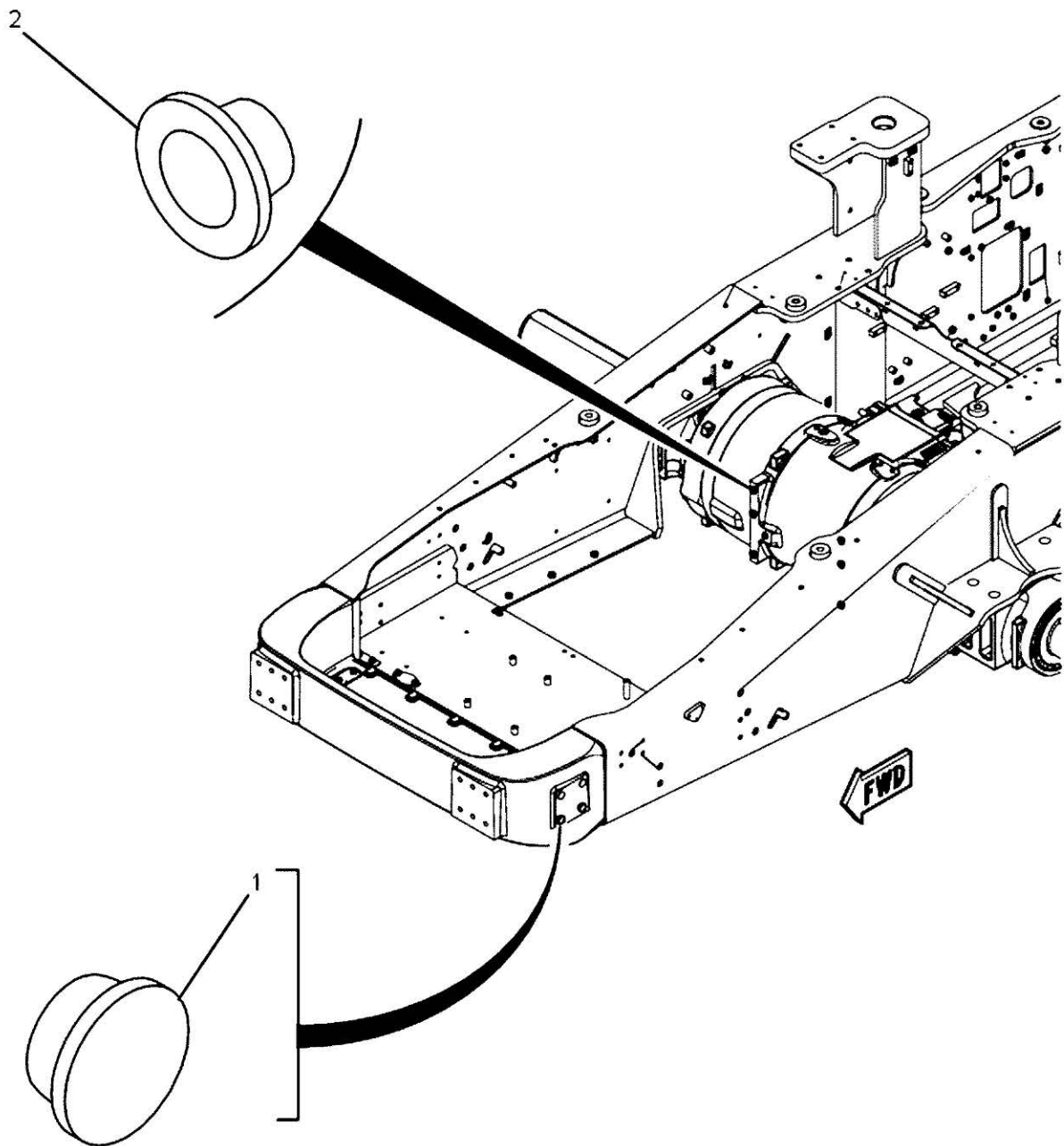
576023D1-4-02



576023D1 - SWINGING DRAWBAR GROUP, CATEGORY 4 - WITH 3 POINT HITCH

ITEM	PART NUMBER	QTY	DESCRIPTION COMMENTS	TECHNICAL SPECIFICATION
1	184-5062	1	PLATE	
2	196-3036	1	PLATE	
3	196-3052	1	BRACKET	
4	206-4619	1	WEAR PLATE	
6	AG691157	19	BOLT	
9	400041X1	2	HEXAGONAL HEAD BOLT	M12 X 1.75 X 30MM, CL10.9
10	400054X1	4	HEXAGONAL HEAD BOLT	M10 X 1.5 X 16MM, CL10.9
11	400080X1	12	FLAT WASHER	22MM X 35MM X 3.5MM
12	400081X1	19	FLAT WASHER	26MM X 44MM X 4MM
14	400191X1	2	HEXAGONAL HEAD BOLT	M16 X 2 X 40MM, CL 10.9
15	400198X1	2	BOLT	
16	400222X1	1	HEXAGONAL HEAD BOLT	M16 X 2.0 X 60MM 10.9
17	400229X1	3	HEXAGONAL HEAD BOLT	M24 X 3 X 140MM, CL10.9
18	400244X1	3	BOLT	M16 X 2 X 45MM, CL10.9
19	400287X1	5	FLAT WASHER	11MM X 21MM X 2.5MM
20	400357X1	4	FLAT WASHER	M12 X 25.5 X 3MM
23	506025D1	1	DRAWBAR	
24	506033D1	1	WEAR PLATE	
28	536269D2	1	BRACKET	ASM CONN TRAILER
29	544698D1	1	SPRING	
30	548507D1	1	SUPPORT	
31	559081D1	1	PIN	51MM
32	559085D1	1	LOCK PLATE	
33	559086D1	1	COVER PLATE	
34	561125D1	1	PIN	38.1 DIA X 228.6
35	566842D3	1	CLEVIS	
36	CH150-8766	1	LATCH	
37	CH200-8749	2	STOP	
39	CH4L-8183	2	SPACER	
40	CH8K-0589	2	DOWEL	
41	CH8T-4001	2	HEX NUT	M24 X 3, GR8
42	CH8T-4122	5	FLAT WASHER	17MM X 32MM X 3.5MM
43	CH8T-4778	1	HEX LOCKNUT	M16 X 2

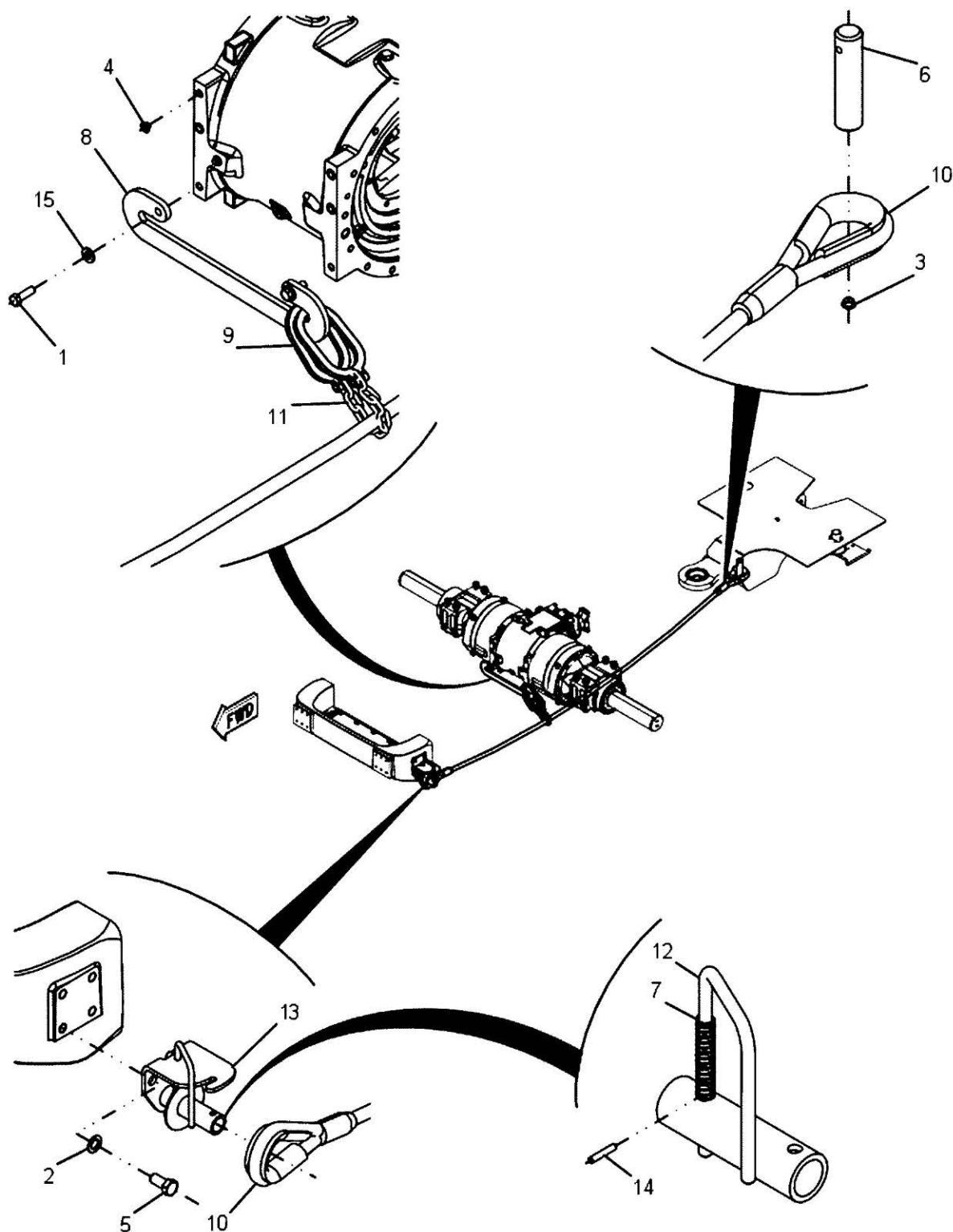
575264D1-2-



575264D1 - PLUG GROUP - WITHOUT TOW CABLE

ITEM	PART NUMBER	QTY	DESCRIPTION COMMENTS	TECHNICAL SPECIFICATION
1	400091X1	2	PROTECTIVE PLUG	M24
2	400093X1	6	PLASTIC PLUG	M14

576387D1-2-



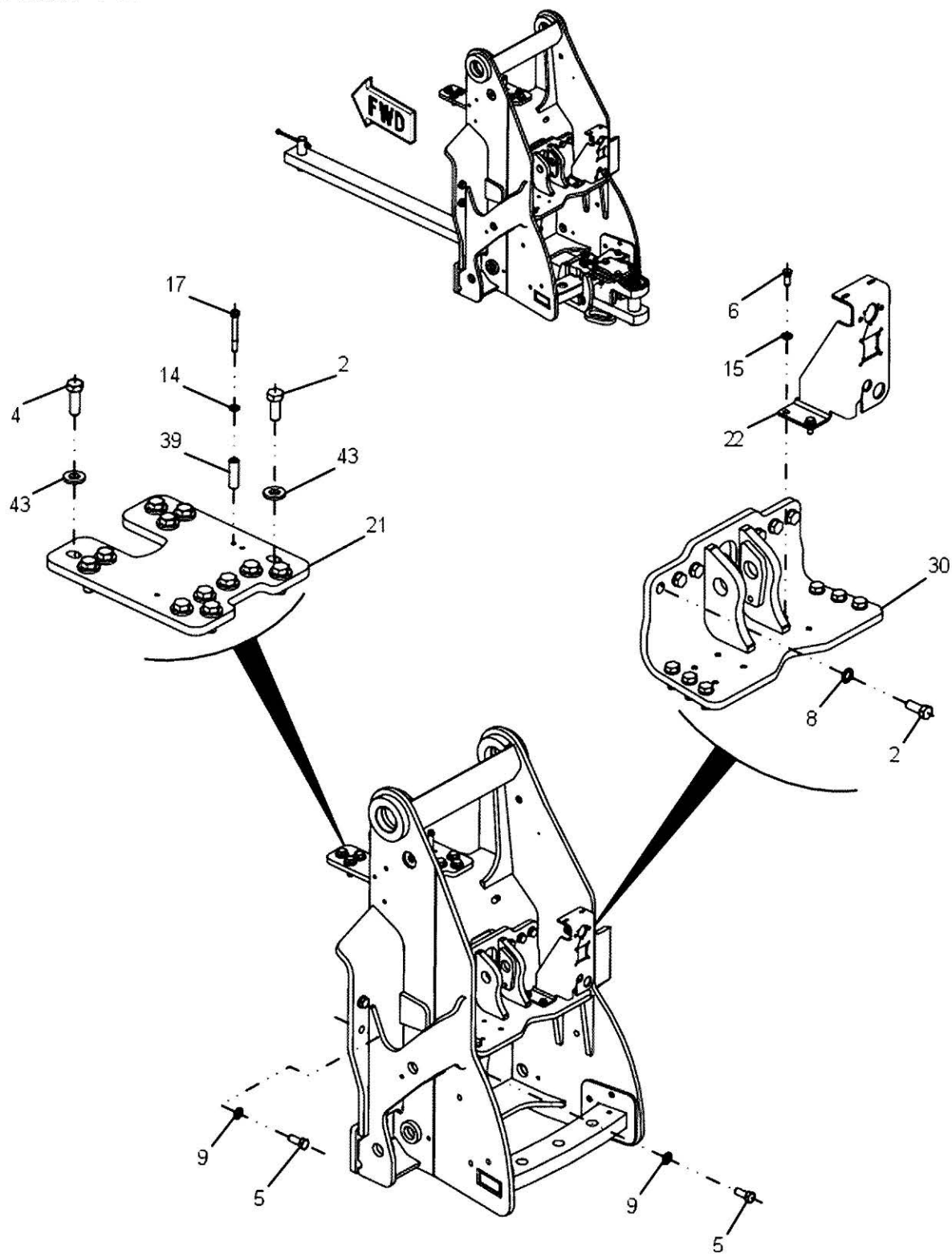
576387D1 - TOW CABLE INSTALLATION

ITEM	PART NUMBER	QTY	DESCRIPTION COMMENTS	TECHNICAL SPECIFICATION
1	400056X1	2	HEXAGONAL HEAD BOLT	M16 X 2 X 50MM, CL10.9
2	400081X1	2	FLAT WASHER	26MM X 44MM X 4MM
3	400090X1	1	PROTECTIVE PLUG	M20
4	400093X1	4	PLASTIC PLUG	M14
5	400232X1	2	HEXAGONAL HEAD BOLT	M24 X 3 X 50MM, CL10.9
6	519812D1	1	PIN	50.8 DIA X 200
7	544698D1	1	SPRING	
8	575232D1	1	SUPPORT	
9	576364D1	2	LINK	3/8"
10	576384D1	1	CABLE	4685MM
11	576388D1	1	LINK CHAIN	9 LINKS
12	578676D1	1	LATCH HANDLE	
13	578677D1	1	SUPPORT	
14	CH095-9230	1	PIN	6MM OD X 32MM
15	CH7X-0515	2	HARDENED WASHER	17MM X 35MM X 5MM

576432D1 - TOW CABLE INSTALLATION - SPECIAL APPLICATION

ITEM	PART NUMBER	QTY	DESCRIPTION COMMENTS	TECHNICAL SPECIFICATION
1	400081X1	2	FLAT WASHER	26MM X 44MM X 4MM
2	400090X1	1	PROTECTIVE PLUG	M20
3	400232X1	2	HEXAGONAL HEAD BOLT	M24 X 3 X 50MM, CL10.9
4	519812D1	1	PIN	50.8 DIA X 200
5	544698D1	1	SPRING	
6	576384D1	1	CABLE	4685MM
7	576433D2	1	LINK CHAIN	
8	576434D1	2	SUPPORT PLATE	
9	578676D1	1	LATCH HANDLE	
10	578677D1	1	SUPPORT	
11	CH095-9230	1	PIN	6MM OD X 32MM

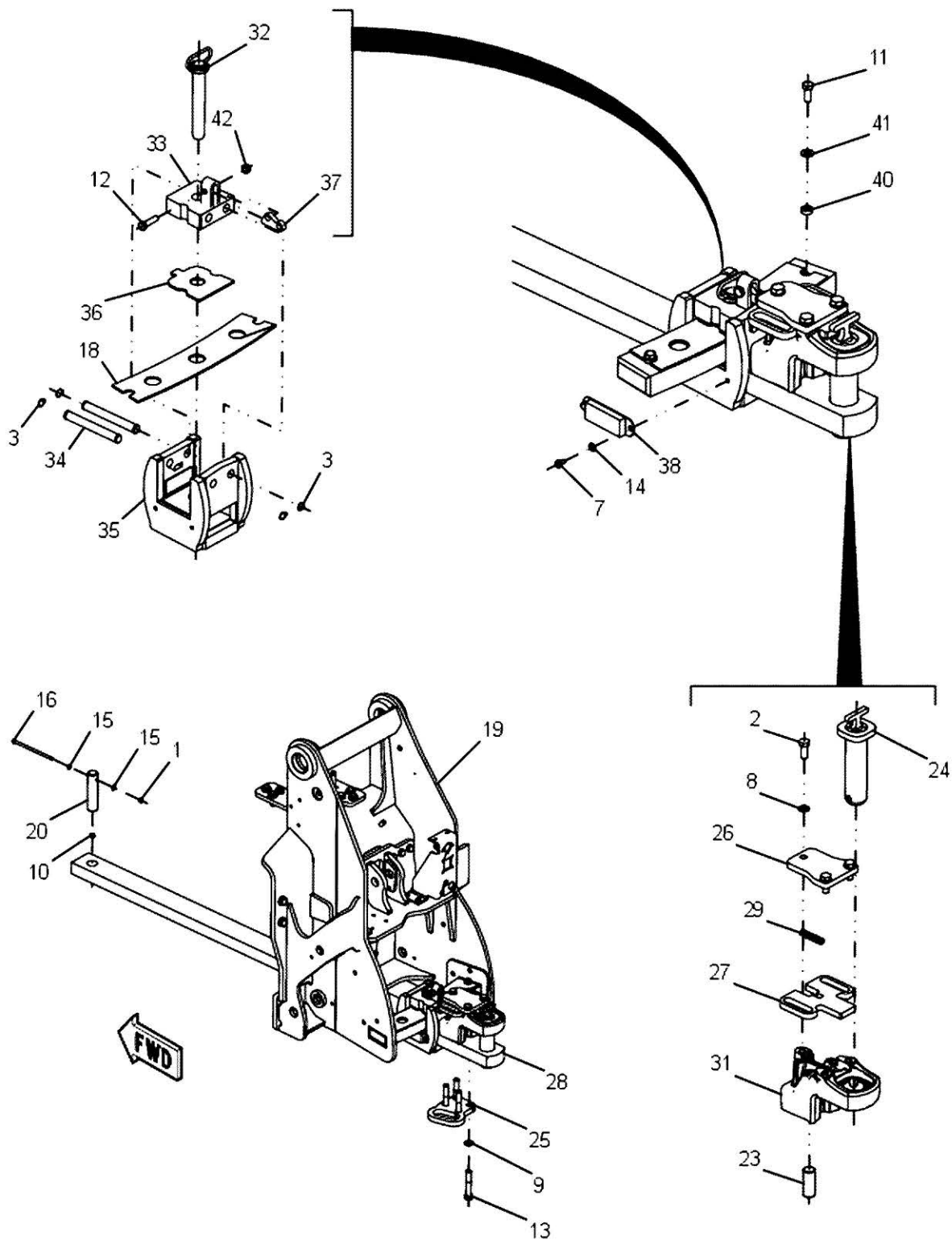
570461D1-4-01



570461D1 - 3 POINT DRAWBAR - CATEGORY 5

ITEM	PART NUMBER	QTY	DESCRIPTION COMMENTS	TECHNICAL SPECIFICATION
2	AG691157	22	BOLT	
4	400031X1	6	HEXAGONAL HEAD BOLT	M20 X 2.5 X 60MM, CL10.9
5	400035X1	6	HEXAGONAL HEAD BOLT	M24 X 3 X 60MM, CL10.9
6	400041X1	2	HEXAGONAL HEAD BOLT	M12 X 1.75 X 30MM, CL10.9
8	400080X1	15	FLAT WASHER	22MM X 35MM X 3.5MM
9	400081X1	16	FLAT WASHER	26MM X 44MM X 4MM
14	400287X1	5	FLAT WASHER	11MM X 21MM X 2.5MM
15	400357X1	4	FLAT WASHER	M12 X 25.5 X 3MM
17	402594X1	1	HEXAGONAL HEAD BOLT	M10 X 1.5MM X 85MM CL10.9
21	529039D1	1	PLATE	
22	536269D2	1	BRACKET	ASM CONN TRAILER
30	548507D2	1	TOPLINK SUPPORT	
39	CH212-0279	1	SPACER	11.1MM ID X 10.1MM OD X 62MM
43	CH8T-5439	13	FLAT WASHER	21.5MM ID X 45MM OD X 6MM

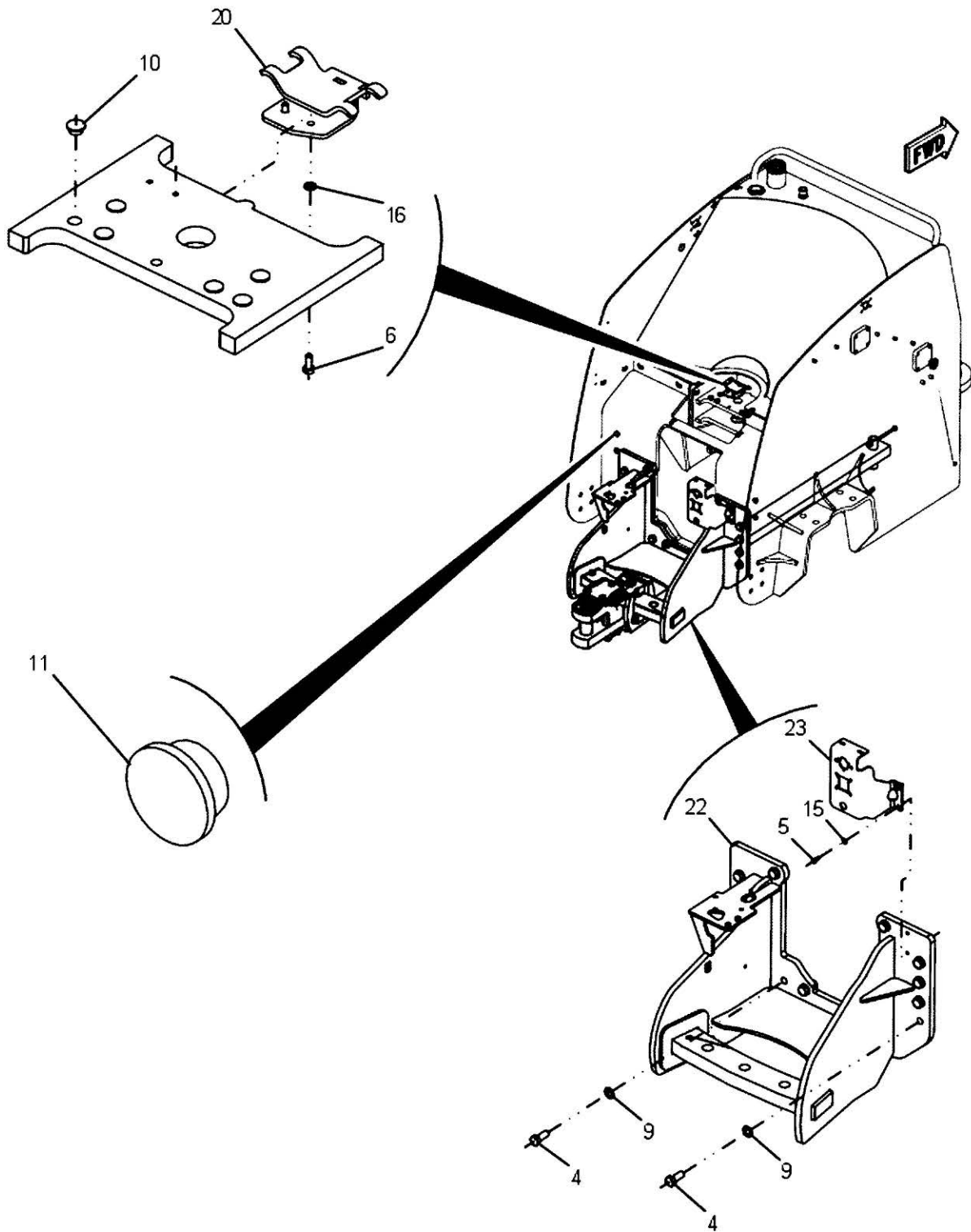
570461D1-4-02



570461D1 - 3 POINT DRAWBAR - CATEGORY 5

ITEM	PART NUMBER	QTY	DESCRIPTION COMMENTS	TECHNICAL SPECIFICATION
1	AG522284	1	HEX LOCKNUT	M12 X 1.75
2	AG691157	22	BOLT	
3	352438X1	4	EXTERNAL RETAINING RING	S.D.: 1.000" - PH
7	400054X1	4	HEXAGONAL HEAD BOLT	M10 X 1.5 X 16MM, CL10.9
8	400080X1	15	FLAT WASHER	22MM X 35MM X 3.5MM
9	400081X1	16	FLAT WASHER	26MM X 44MM X 4MM
10	400090X1	1	PROTECTIVE PLUG	M20
11	400191X1	2	HEXAGONAL HEAD BOLT	M16 X 2 X 40MM, CL 10.9
12	400222X1	12	HEXAGONAL HEAD BOLT	M16 X 2.0 X 60MM 10.9
13	400229X1	4	HEXAGONAL HEAD BOLT	M24 X 3 X 140MM, CL10.9
14	400287X1	5	FLAT WASHER	11MM X 21MM X 2.5MM
15	400357X1	4	FLAT WASHER	M12 X 25.5 X 3MM
16	402147X1	1	HEXAGONAL HEAD BOLT	M12 X 1.75 X 250MM, CL10.9
18	506033D1	1	WEAR PLATE	
19	513949D2	1	FRAME	
20	519812D1	1	PIN	50.8 DIA X 200
23	538148D1	1	PIN	DOWEL 38.1MM
24	544684D1	1	PIN	70MM
25	544686D1	1	PLATE	CHAIN SUPPORT
26	544687D1	1	COVER PLATE	
27	544688D1	1	LOCK PLATE	PLATE
28	544697D2	1	DRAWBAR	CAT5, MT900
29	544698D1	1	SPRING	
31	553345D2	1	CLEVIS	72.5MM
32	561125D1	1	PIN	38.1 DIA X 228.6
33	570363D1	1	PLATE	
34	570366D1	2	DRAW BAR PIN	
35	570368D1	1	DRAWBAR BRACKET	
36	570480D1	1	WEAR PLATE	
37	CH150-8766	1	LATCH	
38	CH200-8749	2	STOP	
40	CH4L-8183	2	SPACER	
41	CH8T-4122	2	FLAT WASHER	17MM X 32MM X 3.5MM
43	CH8T-5439	13	FLAT WASHER	21.5MM ID X 45MM OD X 6MM

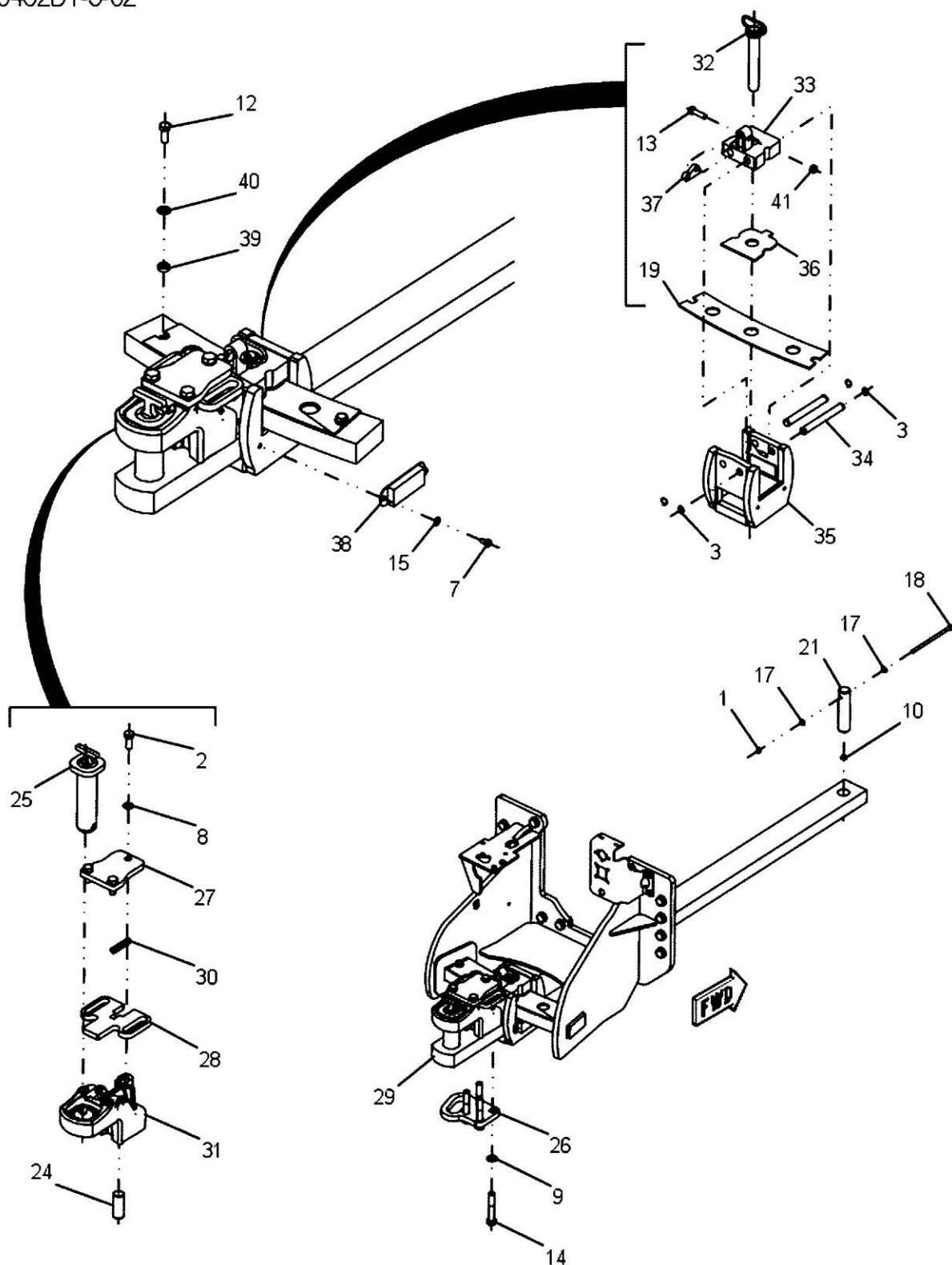
570462D1-3-01



570462D1 - SWINGING DRAWBAR GROUP - CATEGORY 5

ITEM	PART NUMBER	QTY	DESCRIPTION COMMENTS	TECHNICAL SPECIFICATION
4	400035X1	14	HEXAGONAL HEAD BOLT	M24 X 3 X 60MM, CL10.9
5	400039X1	2	HEXAGONAL HEAD BOLT	M10 X 1.5 X 25MM, CL10.9
6	400053X1	2	HEXAGONAL HEAD BOLT	M8 X 1.25 X 20MM, CL10.9
9	400081X1	18	FLAT WASHER	26MM X 44MM X 4MM
10	400090X1	7	PROTECTIVE PLUG	M20
11	400091X1	4	PROTECTIVE PLUG	M24
15	400287X1	6	FLAT WASHER	11MM X 21MM X 2.5MM
16	400339X1	2	FLAT WASHER	9MM X 16MM X 2MM
20	511948D1	1	BRACKET	
22	523691D2	1	SUPPORT	
23	536277D2	1	BRACKET	ASM CONN TRAILER

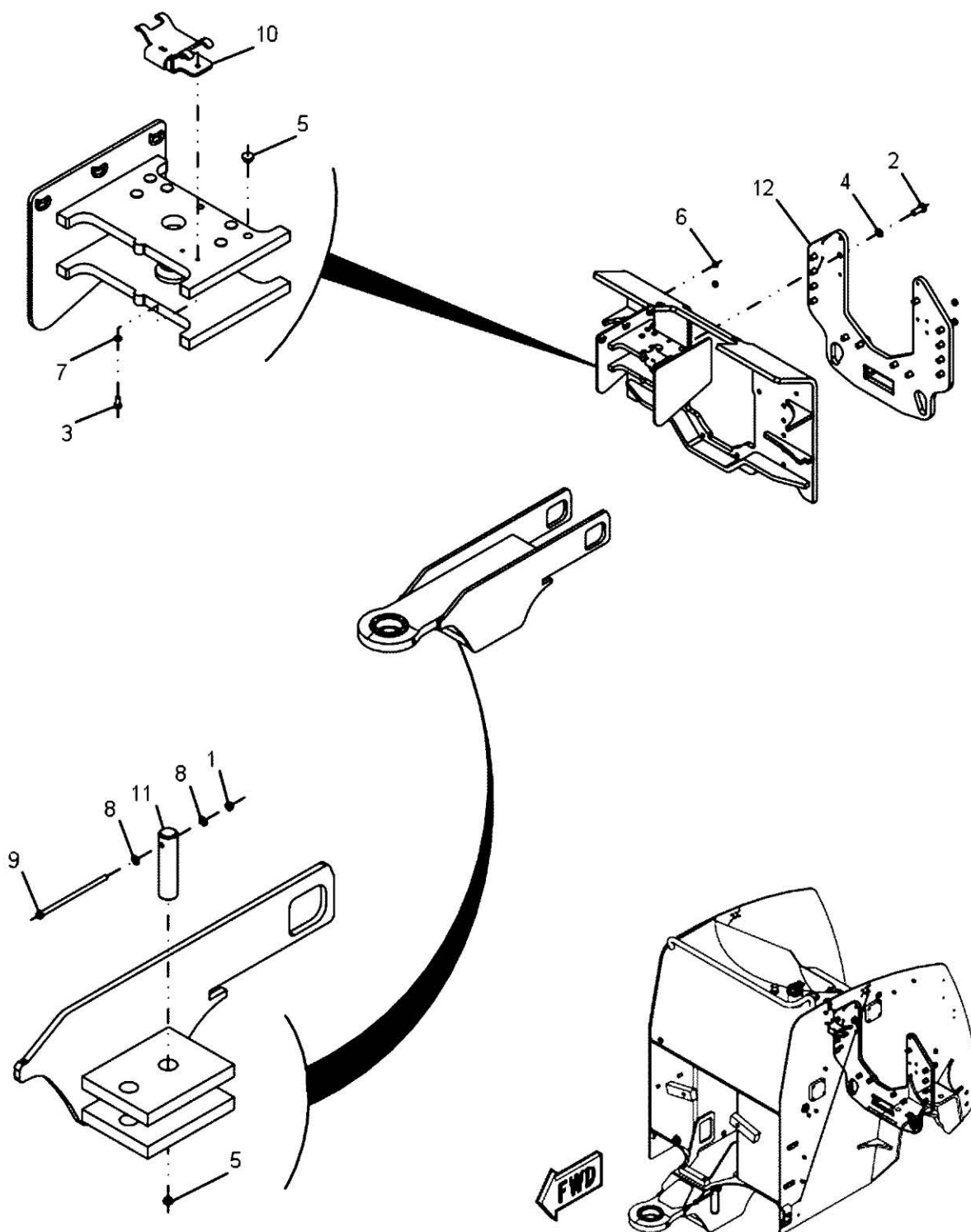
570462D1-3-02



570462D1 - SWINGING DRAWBAR GROUP - CATEGORY 5

ITEM	PART NUMBER	QTY	DESCRIPTION COMMENTS	TECHNICAL SPECIFICATION
1	AG522284	1	HEX LOCKNUT	M12 X 1.75
2	AG691157	3	BOLT	
3	352438X1	4	EXTERNAL RETAINING RING	S.D.: 1.000" - PH
7	400054X1	4	HEXAGONAL HEAD BOLT	M10 X 1.5 X 16MM, CL10.9
8	400080X1	3	FLAT WASHER	22MM X 35MM X 3.5MM
9	400081X1	18	FLAT WASHER	26MM X 44MM X 4MM
10	400090X1	7	PROTECTIVE PLUG	M20
12	400191X1	4	HEXAGONAL HEAD BOLT	M16 X 2 X 40MM, CL 10.9
13	400222X1	1	HEXAGONAL HEAD BOLT	M16 X 2.0 X 60MM 10.9
14	400229X1	4	HEXAGONAL HEAD BOLT	M24 X 3 X 140MM, CL10.9
15	400287X1	6	FLAT WASHER	11MM X 21MM X 2.5MM
17	400357X1	2	FLAT WASHER	M12 X 25.5 X 3MM
18	402147X1	1	HEXAGONAL HEAD BOLT	M12 X 1.75 X 250MM, CL10.9
19	506033D1	1	WEAR PLATE	
21	519812D1	1	PIN	50.8 DIA X 200
24	538148D1	1	PIN	DOWEL 38.1MM
25	544684D1	1	PIN	70MM
26	544686D1	1	PLATE	CHAIN SUPPORT
27	544687D1	1	COVER PLATE	
28	544688D1	1	LOCK PLATE	PLATE
29	544697D2	1	DRAWBAR	CAT5, MT900
30	544698D1	1	SPRING	
31	553345D2	1	CLEVIS	72.5MM
32	561125D1	1	PIN	38.1 DIA X 228.6
33	570363D1	1	PLATE	
34	570366D1	2	DRAW BAR PIN	
35	570368D1	1	DRAWBAR BRACKET	
36	570480D1	1	WEAR PLATE	
37	CH150-8766	1	LATCH	
38	CH200-8749	2	STOP	
39	CH4L-8183	2	SPACER	
40	CH8T-4122	2	FLAT WASHER	17MM X 32MM X 3.5MM
41	CH8T-4778	1	HEX LOCKNUT	M16 X 2

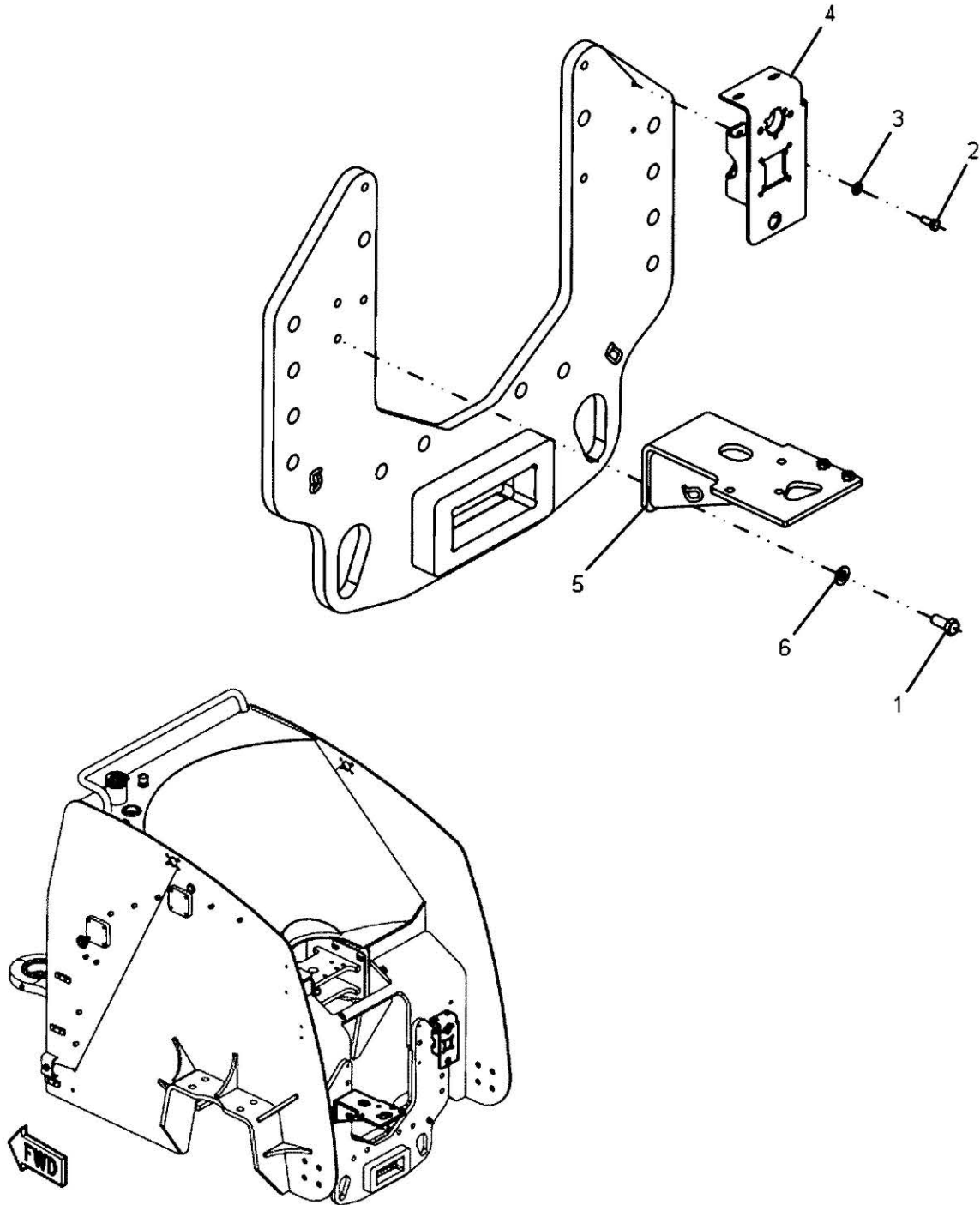
573309D1-2



573309D1 - HITCH - SPECIAL APPLICATION

ITEM	PART NUMBER	QTY	DESCRIPTION COMMENTS	TECHNICAL SPECIFICATION
1	AG522284	1	HEX LOCKNUT	M12 X 1.75
2	400035X1	14	HEXAGONAL HEAD BOLT	M24 X 3 X 60MM, CL10.9
3	400053X1	2	HEXAGONAL HEAD BOLT	M8 X 1.25 X 20MM, CL10.9
4	400081X1	14	FLAT WASHER	26MM X 44MM X 4MM
5	400090X1	7	PROTECTIVE PLUG	M20
6	400091X1	4	PROTECTIVE PLUG	M24
7	400339X1	2	FLAT WASHER	9MM X 16MM X 2MM
8	400357X1	2	FLAT WASHER	M12 X 25.5 X 3MM
9	402147X1	1	HEXAGONAL HEAD BOLT	M12 X 1.75 X 250MM, CL10.9
10	511948D1	1	BRACKET	
11	519812D1	1	PIN	50.8 DIA X 200
12	570185D2	1	HITCH	

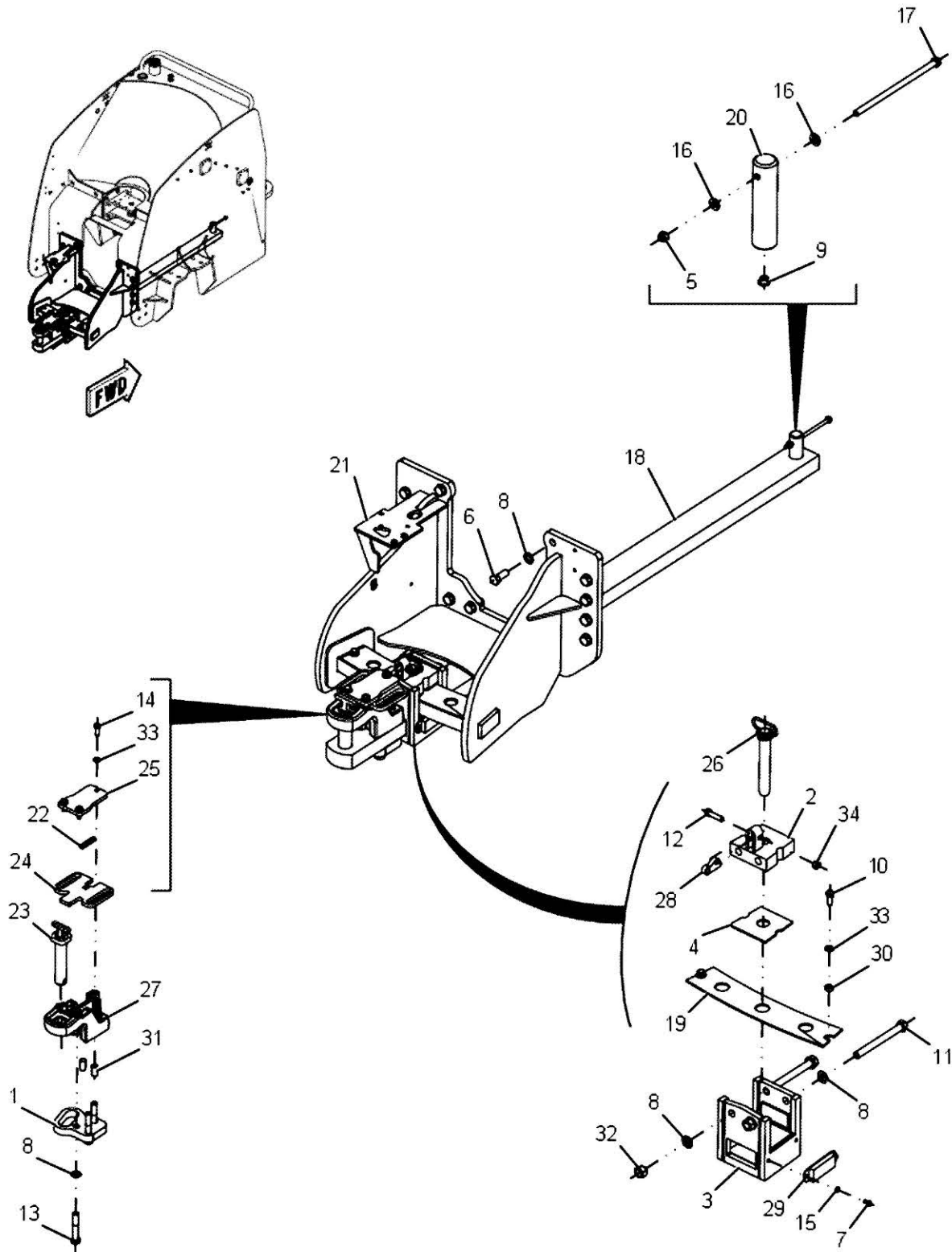
573544D1-2



573544D1 - VALVE SUPPORT - SPECIAL APPLICATION

ITEM	PART NUMBER	QTY	DESCRIPTION COMMENTS	TECHNICAL SPECIFICATION
1	AG518357	3	HEXAGONAL HEAD BOLT	M16 X 2 X 35MM, CL10.9
2	400039X1	2	HEXAGONAL HEAD BOLT	M10 X 1.5 X 25MM, CL10.9
3	400287X1	2	FLAT WASHER	11MM X 21MM X 2.5MM
4	536277D2	1	BRACKET	ASM CONN TRAILER
5	573308D1	1	BRACKET	
6	CH8T-4122	3	FLAT WASHER	17MM X 32MM X 3.5MM

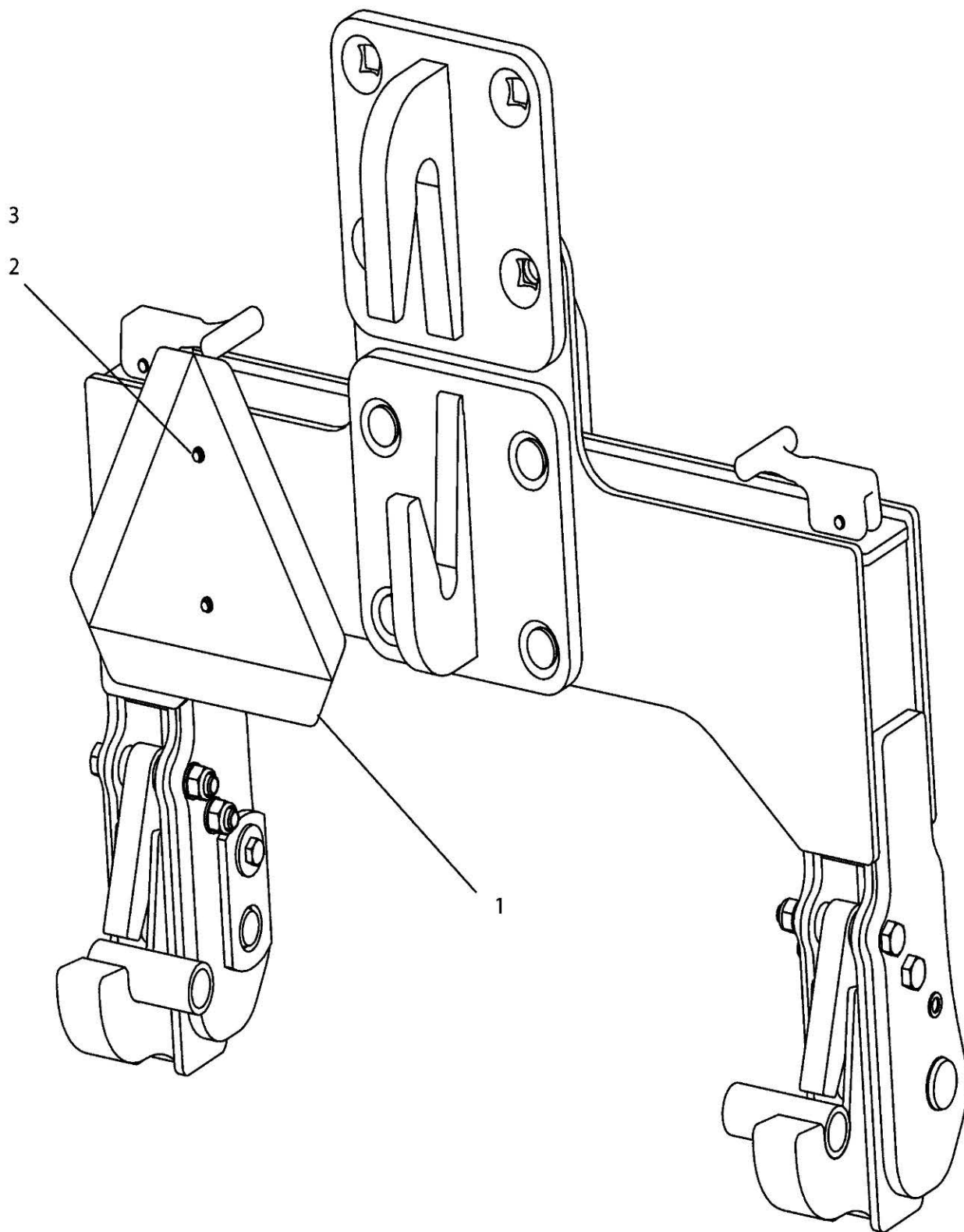
576029D1-2-



576029D1 - DRAWBAR - CATEGORY 4

ITEM	PART NUMBER	QTY	DESCRIPTION COMMENTS	TECHNICAL SPECIFICATION
1	184-5062	1	PLATE	
2	196-3036	1	PLATE	
3	196-3052	1	BRACKET	
4	206-4619	1	WEAR PLATE	
5	AG522284	1	HEX LOCKNUT	M12 X 1.75
6	400035X1	14	HEXAGONAL HEAD BOLT	M24 X 3 X 60MM, CL10.9
7	400054X1	4	HEXAGONAL HEAD BOLT	M10 X 1.5 X 16MM, CL10.9
8	400081X1	21	FLAT WASHER	26MM X 44MM X 4MM
9	400090X1	1	PROTECTIVE PLUG	M20
10	400191X1	2	HEXAGONAL HEAD BOLT	M16 X 2 X 40MM, CL 10.9
11	400198X1	2	BOLT	
12	400222X1	1	HEXAGONAL HEAD BOLT	M16 X 2.0 X 60MM 10.9
13	400229X1	3	HEXAGONAL HEAD BOLT	M24 X 3 X 140MM, CL10.9
14	400244X1	3	BOLT	M16 X 2 X 45MM, CL10.9
15	400287X1	4	FLAT WASHER	11MM X 21MM X 2.5MM
16	400357X1	2	FLAT WASHER	M12 X 25.5 X 3MM
17	402147X1	1	HEXAGONAL HEAD BOLT	M12 X 1.75 X 250MM, CL10.9
18	506025D1	1	DRAWBAR	
19	506033D1	1	WEAR PLATE	
20	519812D1	1	PIN	50.8 DIA X 200
21	523691D2	1	SUPPORT	
22	544698D1	1	SPRING	
23	559081D1	1	PIN	51MM
24	559085D1	1	LOCK PLATE	
25	559086D1	1	COVER PLATE	
26	561125D1	1	PIN	38.1 DIA X 228.6
27	566842D3	1	CLEVIS	
28	CH150-8766	1	LATCH	
29	CH200-8749	2	STOP	
30	CH4L-8183	2	SPACER	
31	CH8K-0589	2	DOWEL	
32	CH8T-4001	2	HEX NUT	M24 X 3, GR8
33	CH8T-4122	5	FLAT WASHER	17MM X 32MM X 3.5MM
34	CH8T-4778	1	HEX LOCKNUT	M16 X 2

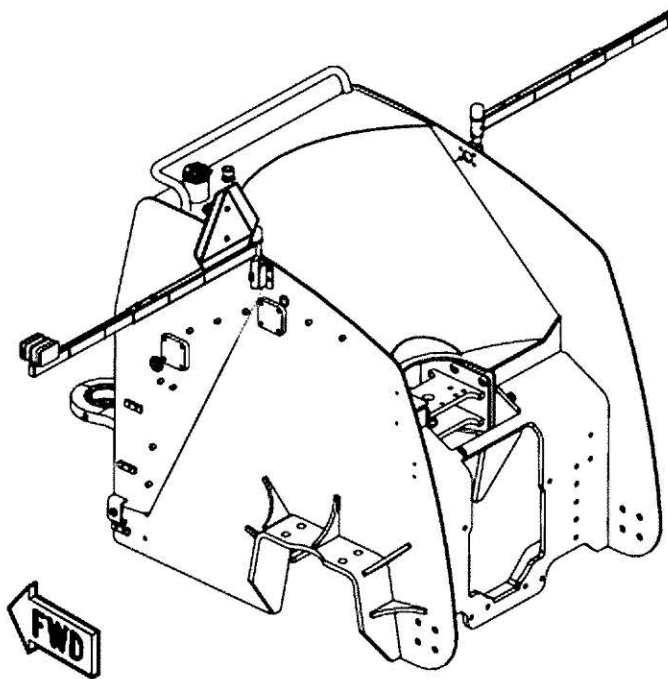
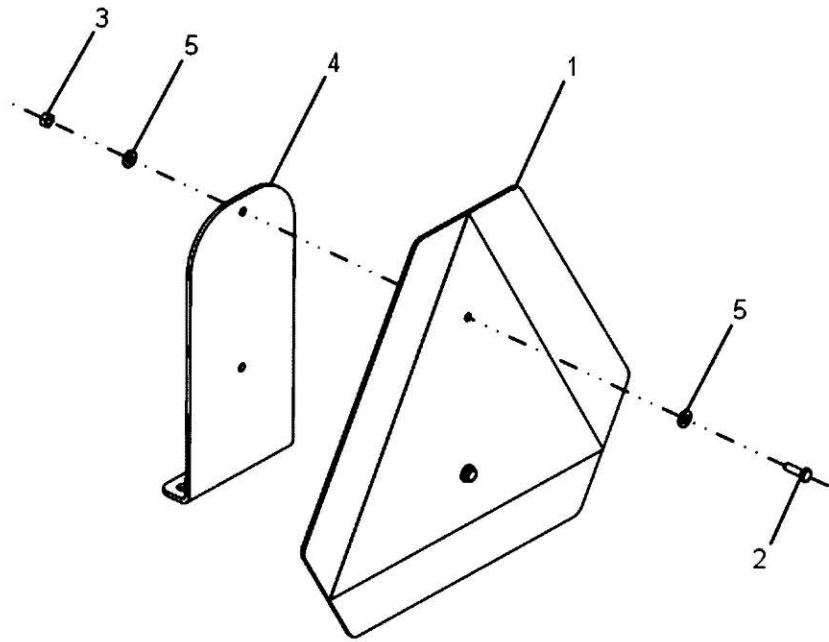
537690D1-01-W079



537690D1 - SLOW MOVING VEHICLE WARNING GROUP, HITCH

ITEM	PART NUMBER	QTY	DESCRIPTION COMMENTS	TECHNICAL SPECIFICATION
1	400129X2	1	PLATE SLOW MOVING VEHICLE	
2	400221X1	2	HEXAGONAL HEAD BOLT	M6 X 1 X 20MM, CL10.9
3	CH8T-4205	2	FLAT WASHER	7.2MM X 14.5MM X 2MM

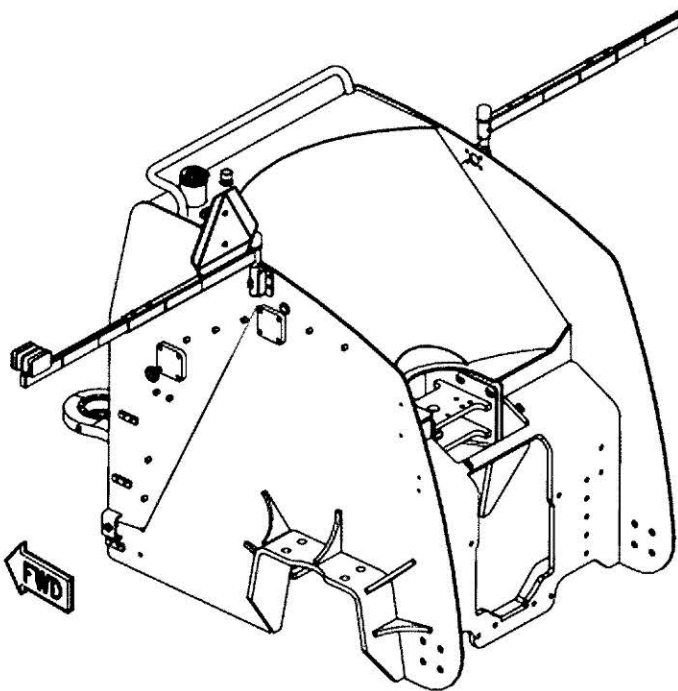
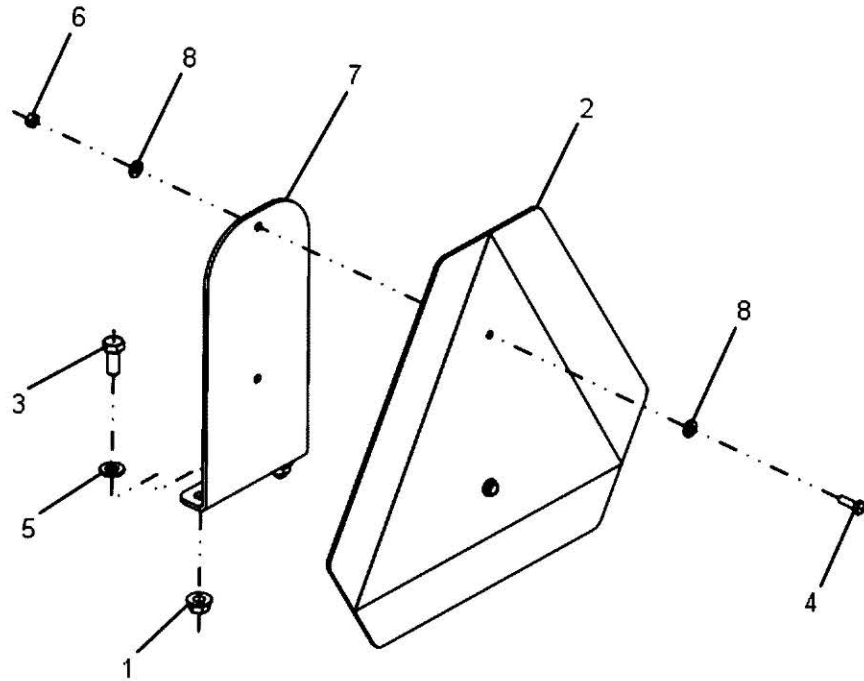
577063D1-2-



577063D1 - SLOW MOVING VEHICLE SIGN INSTALLATION - SINGLE

ITEM	PART NUMBER	QTY	DESCRIPTION COMMENTS	TECHNICAL SPECIFICATION
1	3789701M1	1	TRIANGLE	SAE
2	400221X1	2	HEXAGONAL HEAD BOLT	M6 X 1 X 20MM, CL10.9
3	400300X1	2	HEX NUT	M6 X 1
4	577128D1	1	SMV BRACKET	
5	CH8T-4205	4	FLAT WASHER	7.2MM X 14.5MM X 2MM

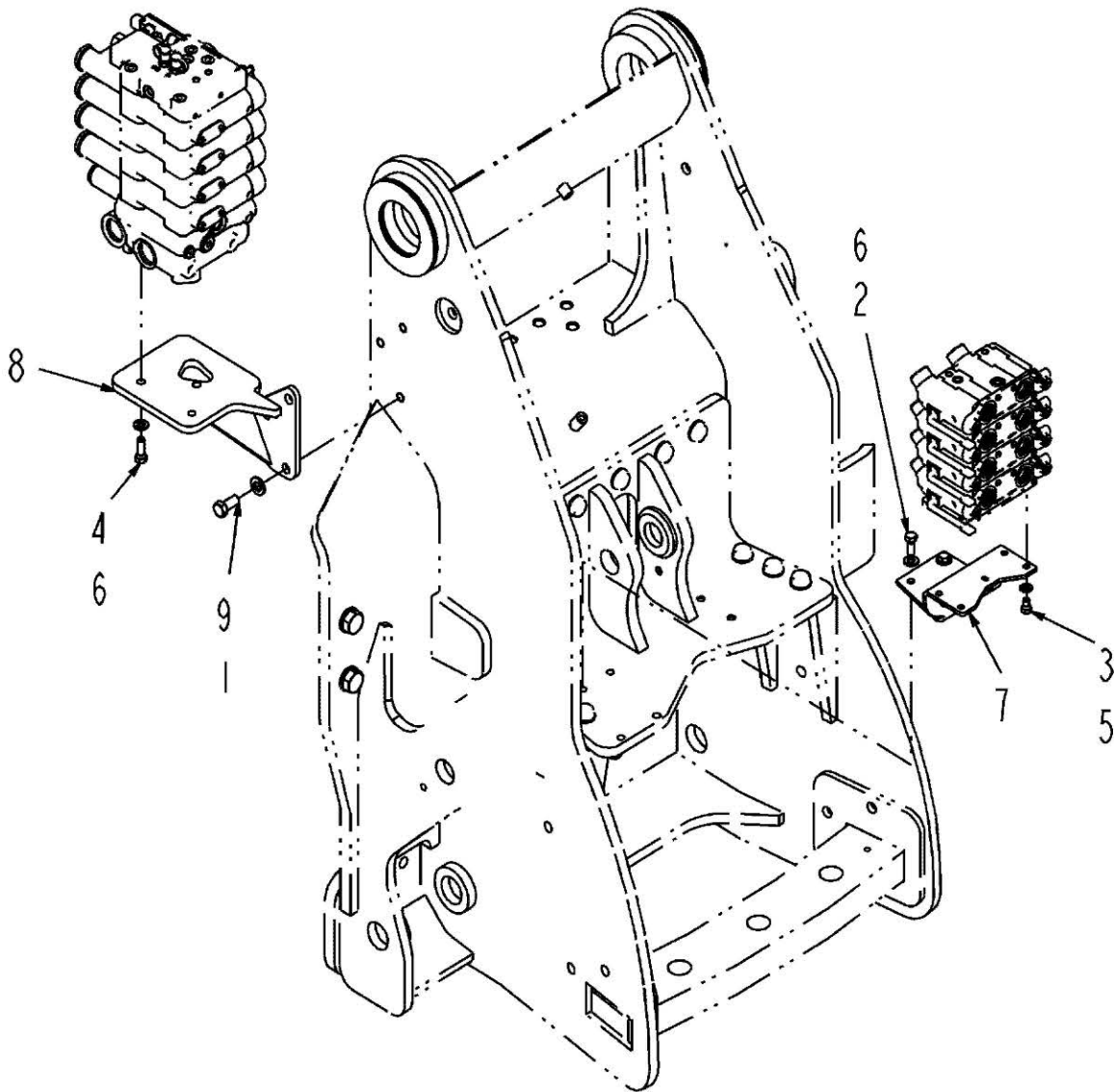
577451D1-1-



577451D1 - SLOW MOVING VEHICLE SIGN INSTALLATION - DUALS AND TRIPLES

ITEM	PART NUMBER	QTY	DESCRIPTION COMMENTS	TECHNICAL SPECIFICATION
1	WR55289	2	HEX FLANGE NUT	M10 X 1.5, CL10
2	3789701M1	1	TRIANGLE	SAE
3	400039X1	2	HEXAGONAL HEAD BOLT	M10 X 1.5 X 25MM, CL10.9
4	400221X1	2	HEXAGONAL HEAD BOLT	M6 X 1 X 20MM, CL10.9
5	400287X1	2	FLAT WASHER	11MM X 21MM X 2.5MM
6	400300X1	2	HEX NUT	M6 X 1
7	577128D1	1	SMV BRACKET	
8	CH8T-4205	4	FLAT WASHER	7.2MM X 14.5MM X 2MM

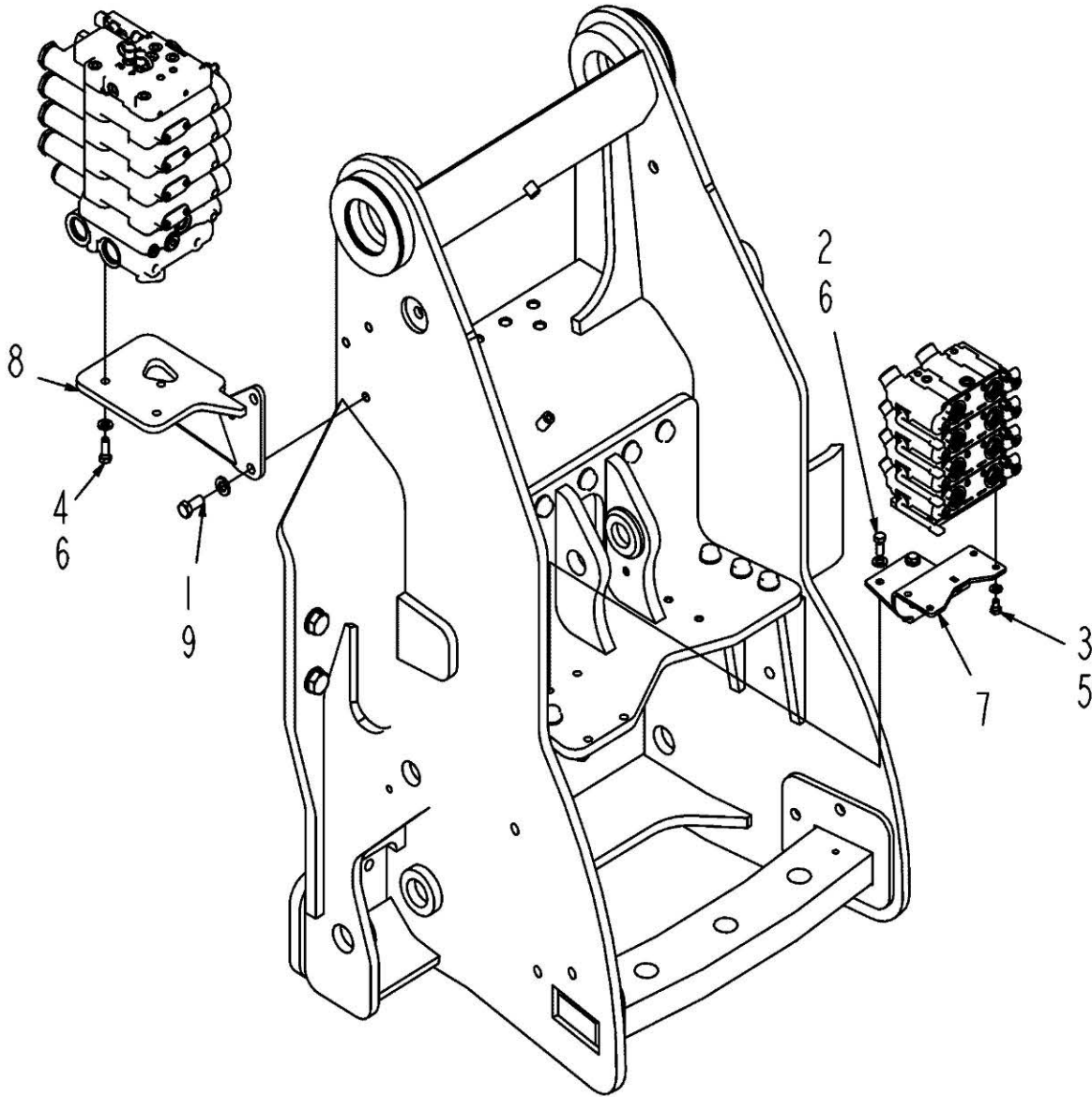
524921D1-3-Z543



524921D1 - MOUNTING GROUP - IMPLEMENT

ITEM	PART NUMBER	QTY	DESCRIPTION COMMENTS	TECHNICAL SPECIFICATION
1	AG518357	3	HEXAGONAL HEAD BOLT	M16 X 2 X 35MM, CL10.9
2	400041X1	4	HEXAGONAL HEAD BOLT	M12 X 1.75 X 30MM, CL10.9
3	400054X1	4	HEXAGONAL HEAD BOLT	M10 X 1.5 X 16MM, CL10.9
4	400064X1	3	HEXAGONAL HEAD BOLT	M12 X 1.75MM X 35MM, CL10.9
5	400287X1	4	FLAT WASHER	11MM X 21MM X 2.5MM
6	400357X1	7	FLAT WASHER	M12 X 25.5 X 3MM
7	525374D1	1	MOUNTING BRACKET	
8	525698D1	1	PLATE	
9	CH8T-4122	3	FLAT WASHER	17MM X 32MM X 3.5MM

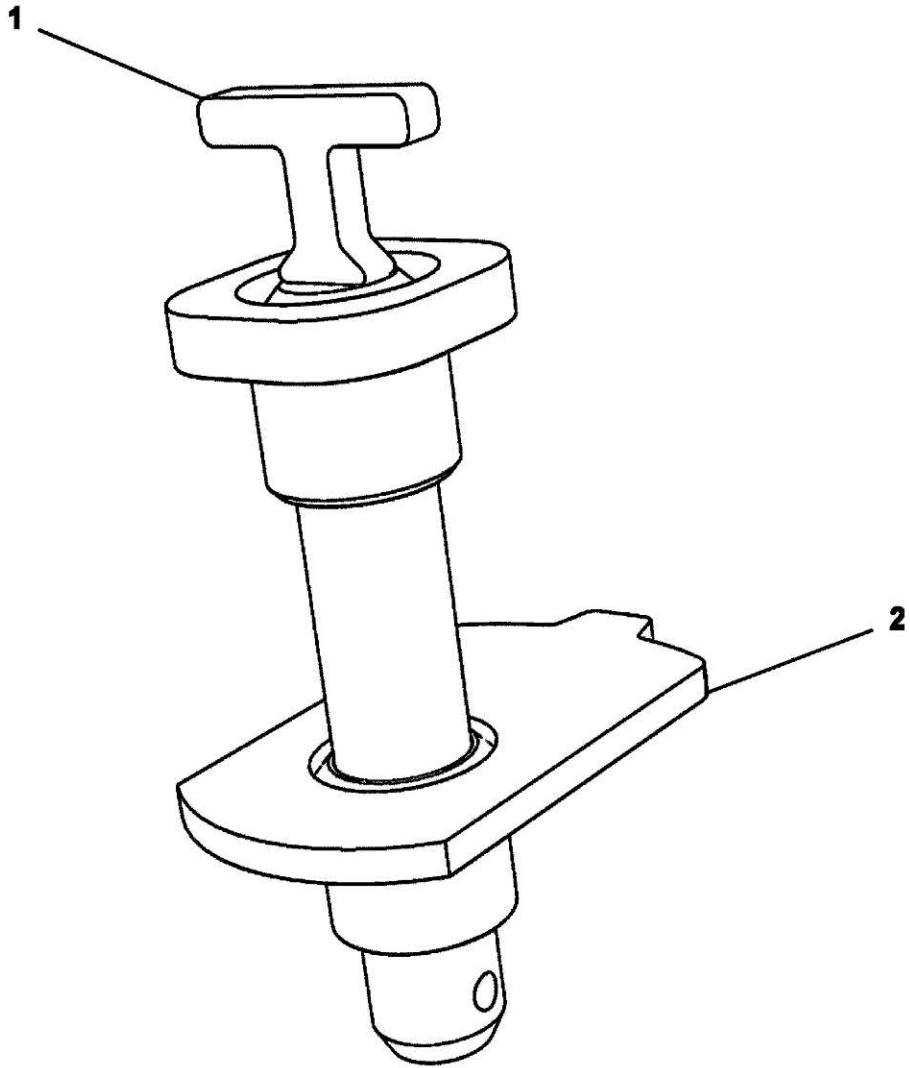
524921D1-3-Z543



524921D1 - MOUNTING GROUP - IMPLEMENT

ITEM	PART NUMBER	QTY	DESCRIPTION COMMENTS	TECHNICAL SPECIFICATION
1	AG518357	3	HEXAGONAL HEAD BOLT	M16 X 2 X 35MM, CL10.9
2	400041X1	4	HEXAGONAL HEAD BOLT	M12 X 1.75 X 30MM, CL10.9
3	400054X1	4	HEXAGONAL HEAD BOLT	M10 X 1.5 X 16MM, CL10.9
4	400064X1	3	HEXAGONAL HEAD BOLT	M12 X 1.75MM X 35MM, CL10.9
5	400287X1	4	FLAT WASHER	11MM X 21MM X 2.5MM
6	400357X1	7	FLAT WASHER	M12 X 25.5 X 3MM
7	525374D1	1	MOUNTING BRACKET	
8	525698D1	1	PLATE	
9	CH8T-4122	3	FLAT WASHER	17MM X 32MM X 3.5MM

544694D1-01-W712



544694D1 - ADAPTER - DRAWBAR

ITEM	PART NUMBER	QTY	DESCRIPTION COMMENTS	TECHNICAL SPECIFICATION
1	544689D1	1	PIN	ASM 70MM
2	544693D1	1	ADAPTER	ASM